

THE PROPERTY OF THE DRAWING IS ESTABLISHED BY LAW
IT IS FORBIDDEN TO PRODUCE OR SHOW IT TO THIRD PART
WITHOUT A WRITTEN AGREEMENT.

MODIFICATIONS

10	11	12
7	8	9

VARIED DIMENSIONS AS OF DATE:

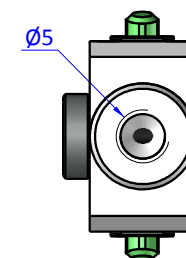
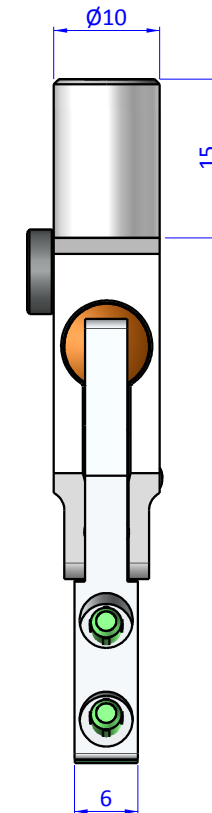
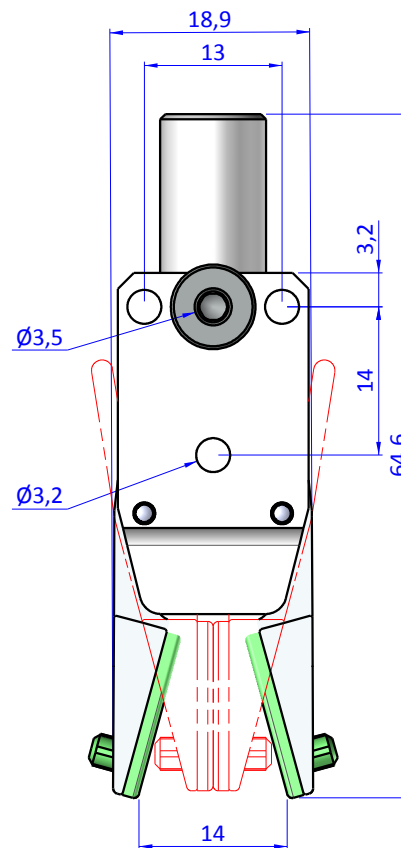
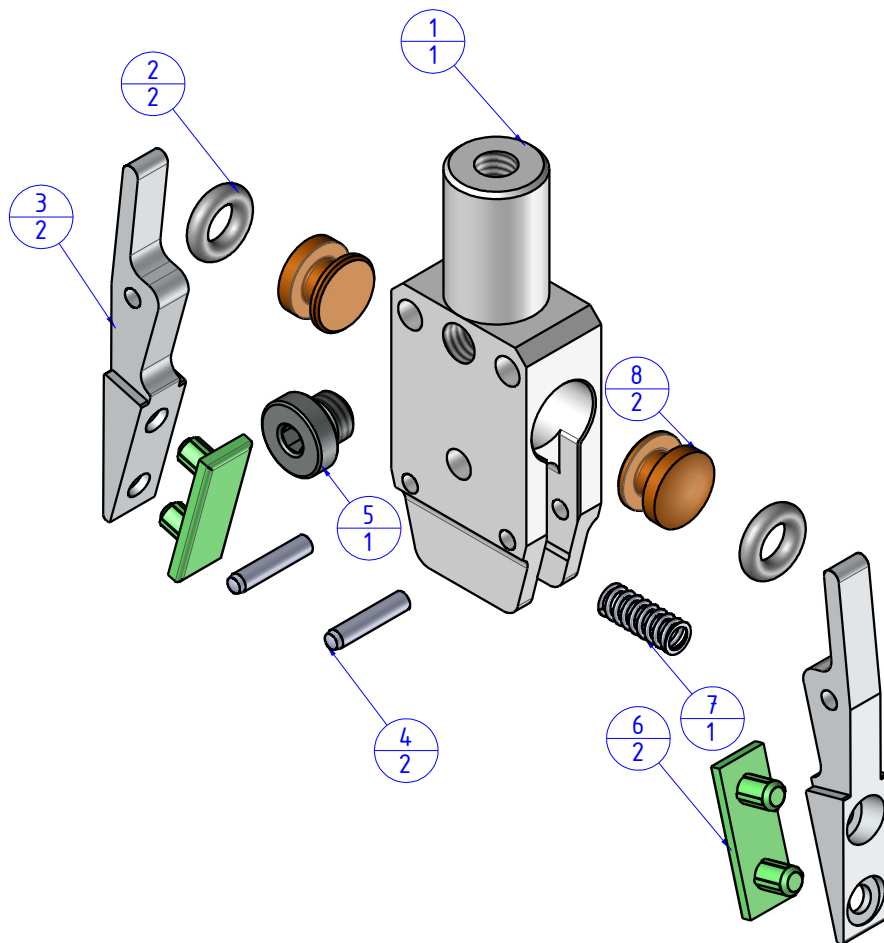
MODIFICATIONS

4	5	6
1	2	3

VARIED DIMENSIONS AS OF DATE:

Format A3
UNI 936-76

Item	Name	Q.ty
1	GZA.10.08.1	1
2	ORM.4x2	2
3	GZA.10.08.3.G	2
4	SP.2x10	2
5	CA.08.14.013	1
6	GZA.10.08.6.V	2
7	M.MP13X3.5D.5	1
8	GZA.10.08.2	2



		DESIGNED FROM		REV
		FPSERVICES		A / 1
GENERAL TOLERANCE		DATE	WEIGHT	
UNI - ISO 2768		15/12/2017	0,017kg	
CLASSE f		CODE		
		CA.GZA.10.08.G		