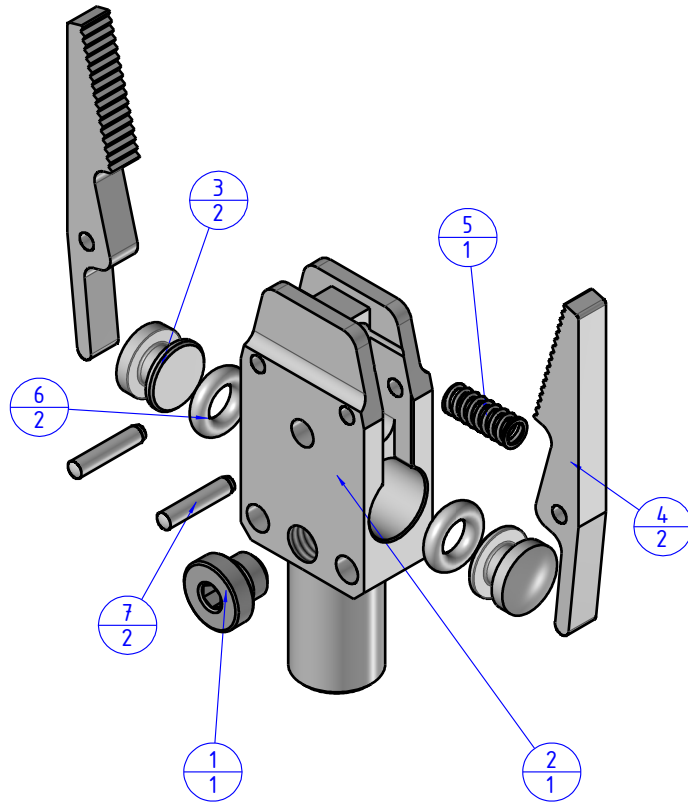


THE PROPERTY OF THE DRAWING IS ESTABLISHED BY LAW
IT IS FORBIDDEN TO PRODUCE OR SHOW IT TO THIRD PART
WITHOUT A WRITTEN AGREEMENT.

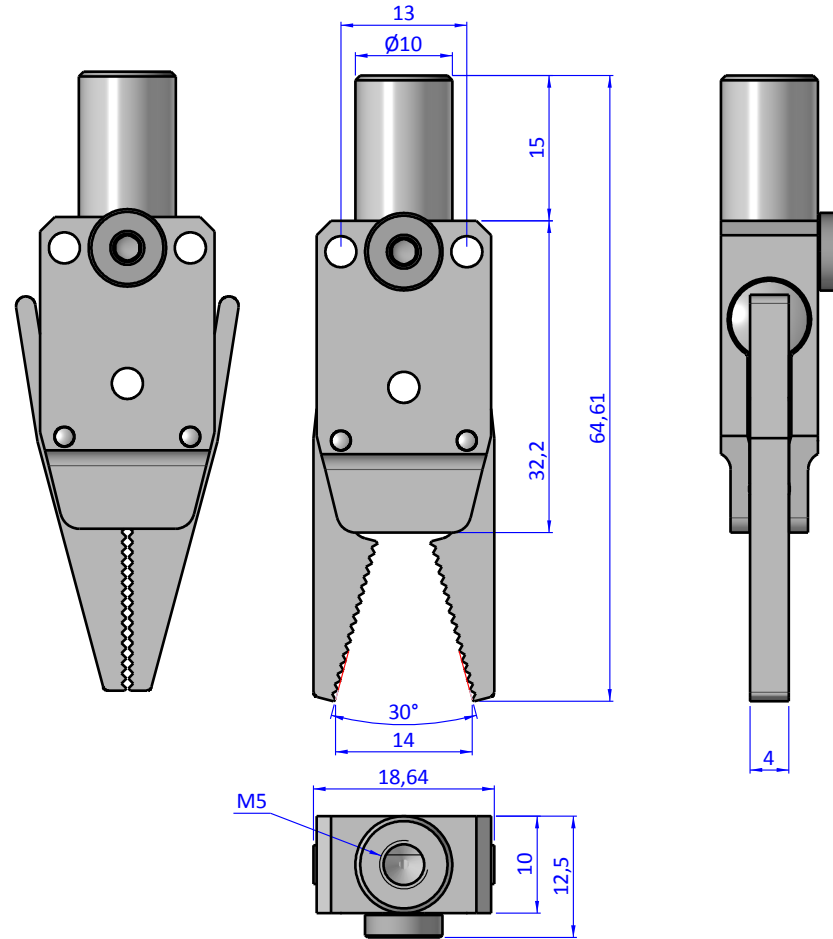
MODIFICAZIONI	VARIED. DIMENSIONI AS OF DATE	10	11	12
7				
8				
9				

MODIFICAZIONI	VARIED. DIMENSIONI AS OF DATE	4	5	6
1				
2				
3				

Format A3
UNI 936-76



Object Number	Name	QTY
1	CA.08.14.013	1
2	GZA.10.08.1	1
3	GZA.10.08.2	2
4	GZA.10.08.3	2
5	M.MP13X3.5D.5	1
6	ORM.4x2	2
7	SP.2x10	2



		DESIGNED FROM FPSERVICES	
		DATE 09/05/2017	WEIGHT 0,016kg
GENERAL TOLERANCE UNI - ISO 2768 CLASSE f	DESCRIPTION CA.GZA.10.08	CODE CA.GZA.10.08	