

THE PROPERTY OF THE DRAWING IS ESTABLISHED BY LAW  
IT IS FORBIDDEN TO PRODUCE OR SHOW IT TO THIRD PART  
WITHOUT A WRITTEN AGREEMENT.

MODIFICATIONS

7	10
8	11
9	12

VARIED DIMENSIONS AS OF DATE:

MODIFICATIONS

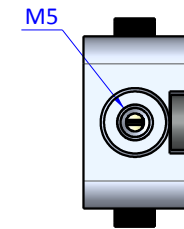
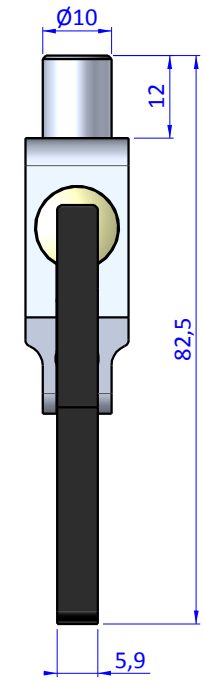
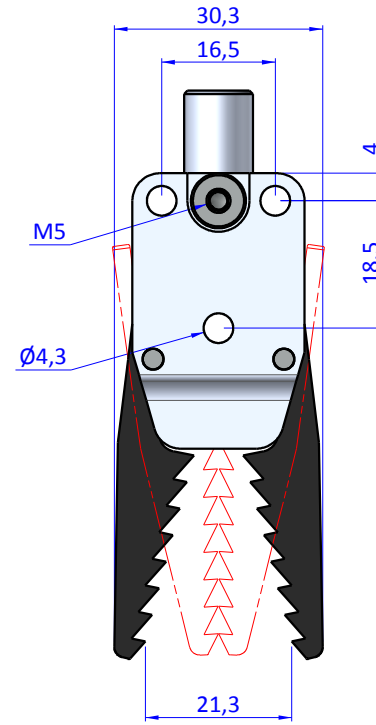
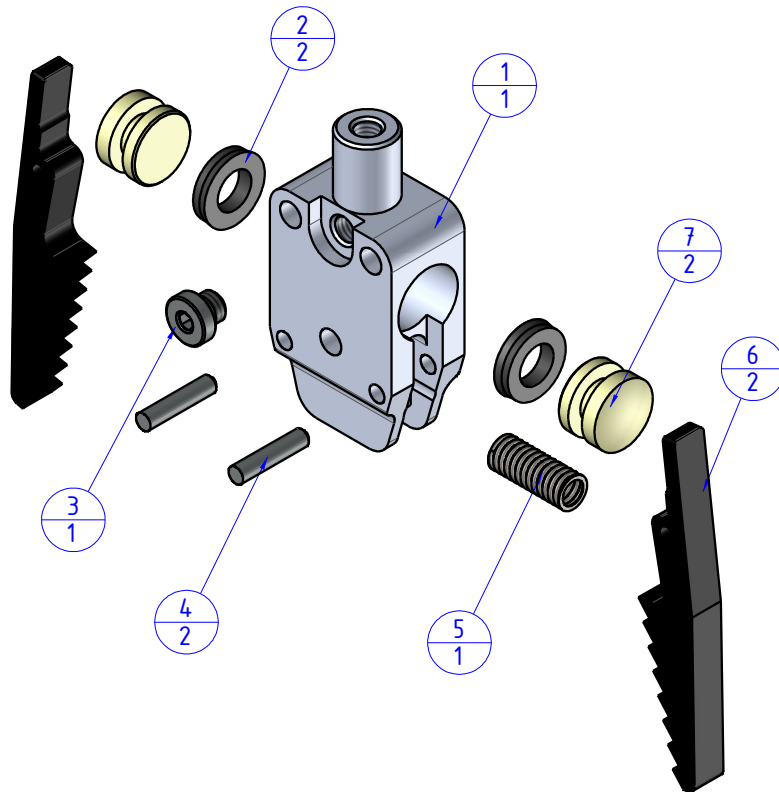
1	4
2	5
3	6

VARIED DIMENSIONS AS OF DATE:

Format A3

UNI 936-76

Item	Name	Qty.
1	GZA.10.12.1	1
2	PSP.1269255	2
3	CA.08.14.013	1
4	SP.3X14H6	2
5	M.6x25.SH	1
6	GZA.10.12.19	2



<b>FP SERVICES</b> AUTOMATION		DESIGNED FROM <b>FPSERVICES</b>	
GENERAL TOLERANCE UNI - ISO 2768 CLASSE f		DATE 26/11/2016	WEIGHT 0,037kg
DESCRIPTION CA.GZA.10.12.19		CODE CA.GZA.10.12.19	