

THE PROPERTY OF THE DRAWING IS ESTABLISHED BY LAW
IT IS FORBIDDEN TO PRODUCE OR SHOW IT TO THIRD PARTY
WITHOUT A WRITTEN AGREEMENT.

Item	Name	Qty.
1	GZA.10.12.1	1
2	PSP.1269255	2
3	CA.08.14.013	1
4	M.6x25.SH	1
5	GZA.10.12.6.V	2
6	GZA.10.12.3.G	2
7	SP.3X14H6	2
8	GZA.10.12.2	2

MODIFICATIONS

7	10
8	11
9	12

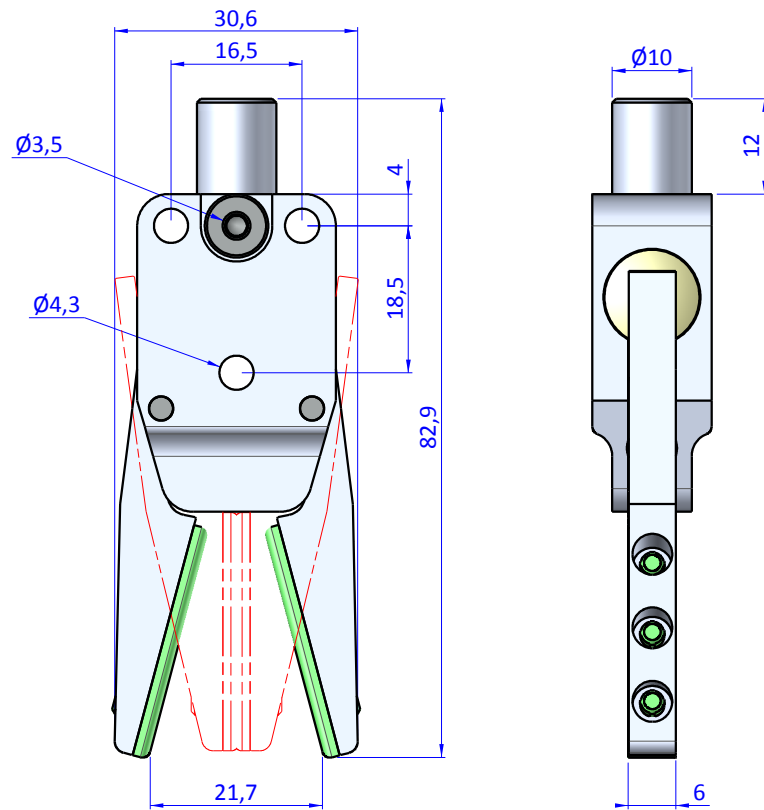
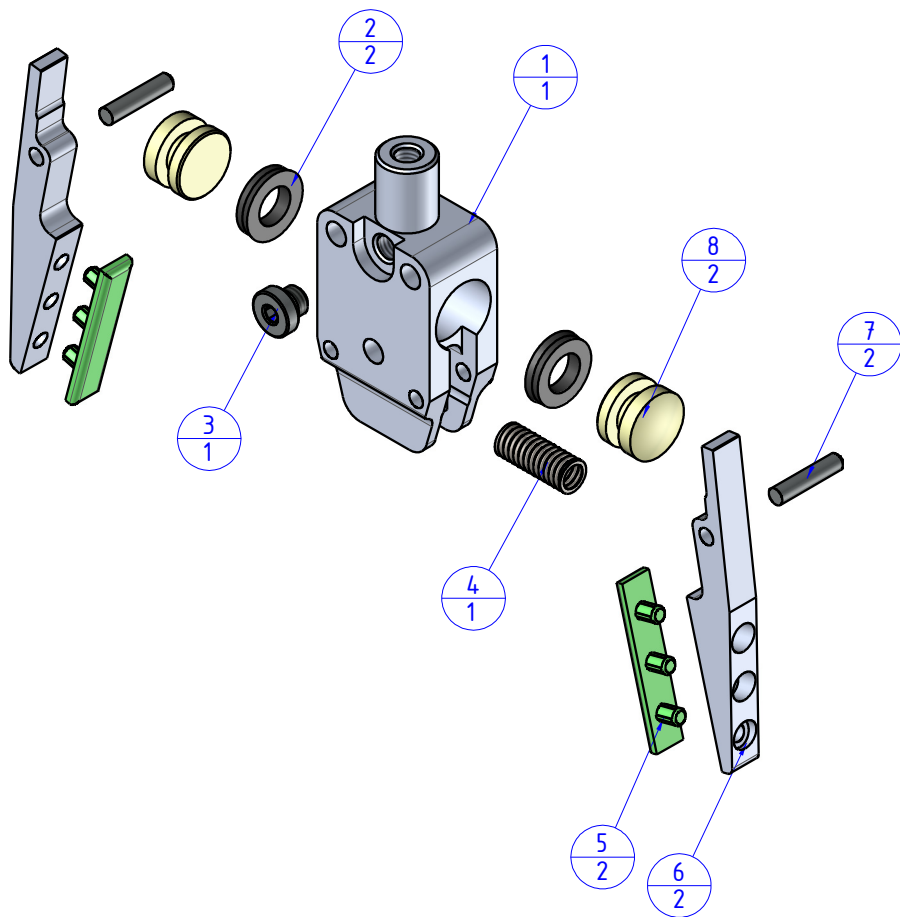
VARIED DIMENSIONS AS OF DATE:

MODIFICATIONS

1	4
2	5
3	6

VARIED DIMENSIONS AS OF DATE:

Format A3
UNI 936-76



		DESIGNED FROM	
		FPSERVICES	
GENERAL TOLERANCE		DATE	WEIGHT
UNI - ISO 2768		31/10/2017	0,036kg
CLASSE f		REV:	CODE
		A / 3	CA.GZA.10.12.G