

THE PROPERTY OF THE DRAWING IS ESTABLISHED BY LAW
IT IS FORBIDDEN TO PRODUCE OR SHOW IT TO THIRD PARTY
WITHOUT A WRITTEN AGREEMENT.

MODIFICATIONS

7	10
8	11
9	12

VARIED DIMENSIONS AS OF DATE:

MODIFICATIONS

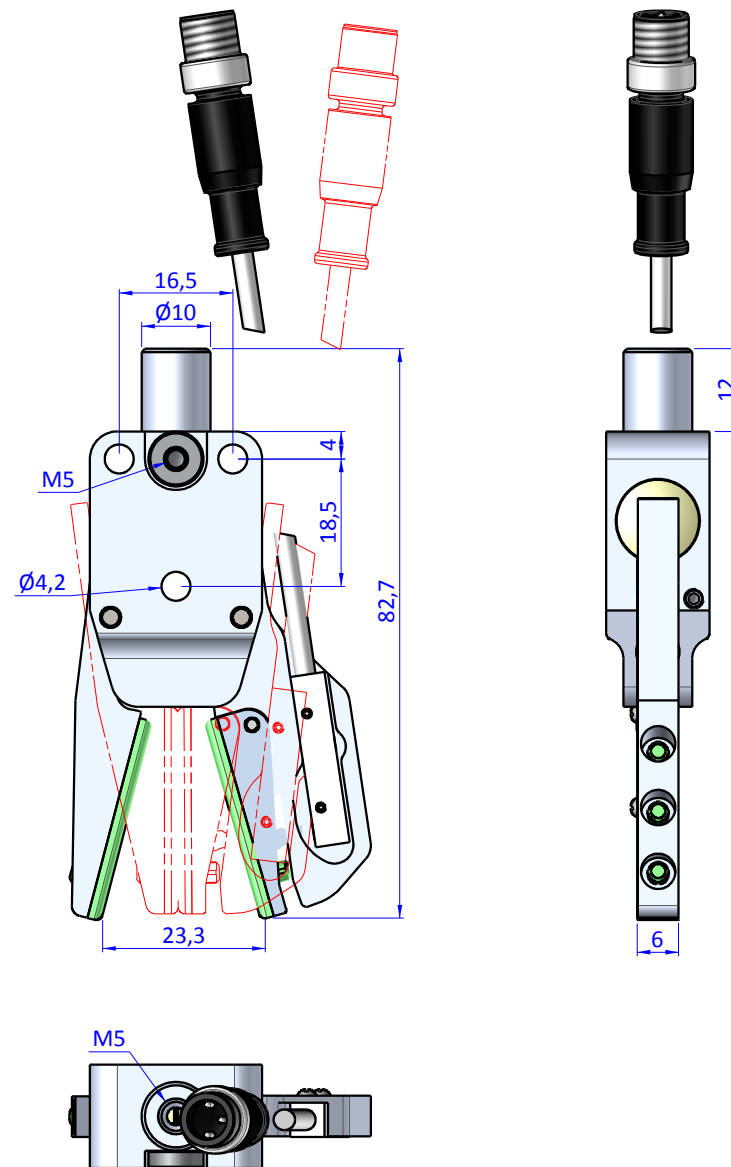
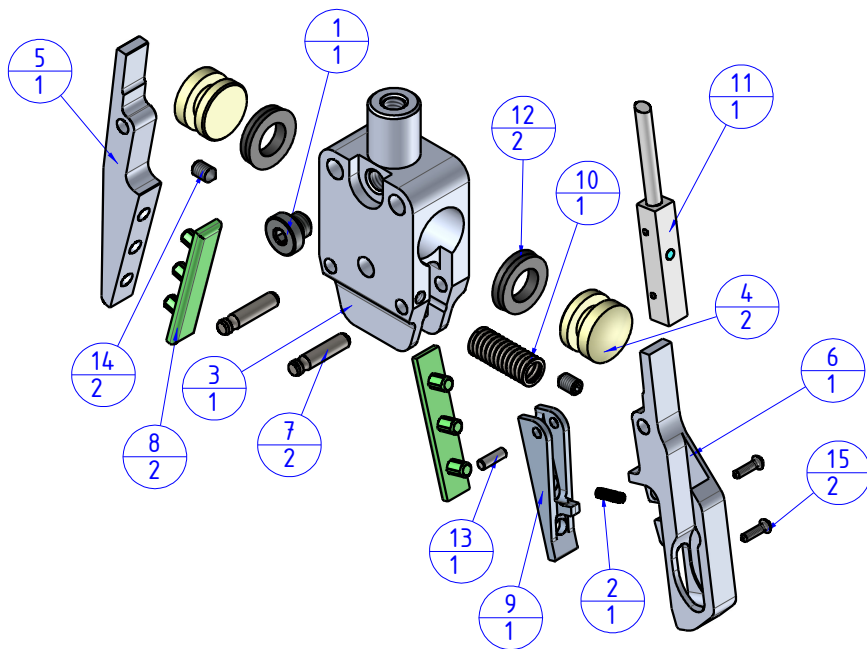
1	4
2	5
3	6

VARIED DIMENSIONS AS OF DATE:

Format A3

UNI 936-76

Item	Name	Qty.
1	CA.08.14.013	1
2	DIM.D10620	1
3	GZA.10.12.1.L	1
4	GZA.10.12.2	2
5	GZA.10.12.3.G	1
6	GZA.10.12.3.S	1
7	GZA.10.12.5	2
8	GZA.10.12.6.V	2
9	GZA.10.12.3.S1G	1
10	M.6x25.SH	1
11	MMD.IL5AP3AVF80	1
12	PSP.1269255	2
13	SP.2x6	1
14	V.STM3X5	2
15	V.TBCE1,6X6	2



		DESIGNED FROM	
		FPSERVICES	
GENERAL TOLERANCE		DATE	WEIGHT
UNI - ISO 2768		21/09/2017	0,062kg
CLASSE f		CODE	
		CA.GZA.10.12.SG	