

THE PROPERTY OF THE DRAWING IS ESTABLISHED BY LAW  
IT IS FORBIDDEN TO PRODUCE OR SHOW IT TO THIRD PARTY  
WITHOUT A WRITTEN AGREEMENT.

MODIFICATIONS

7	10
8	11
9	12

VARIED DIMENSIONS AS OF DATE:

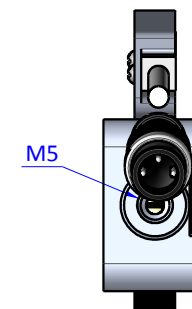
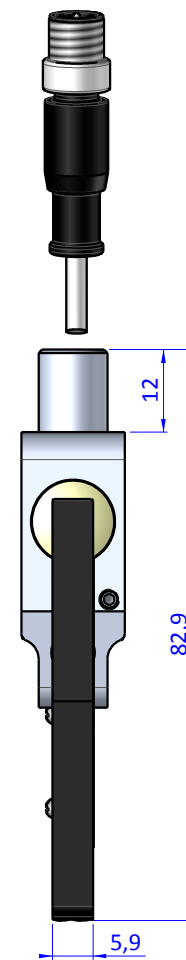
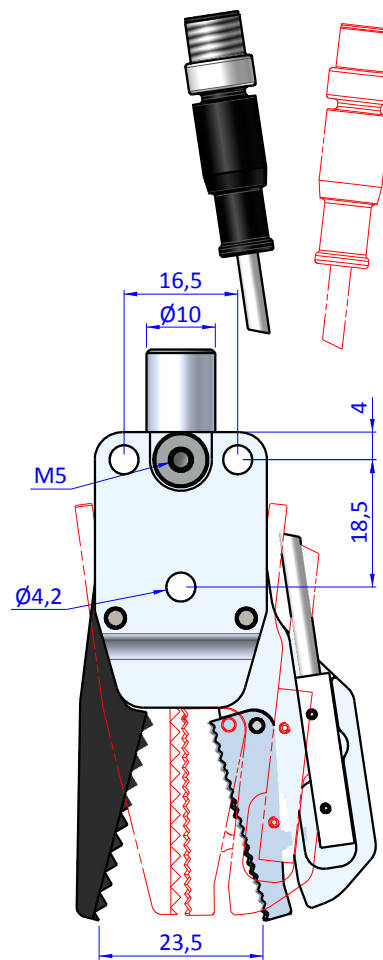
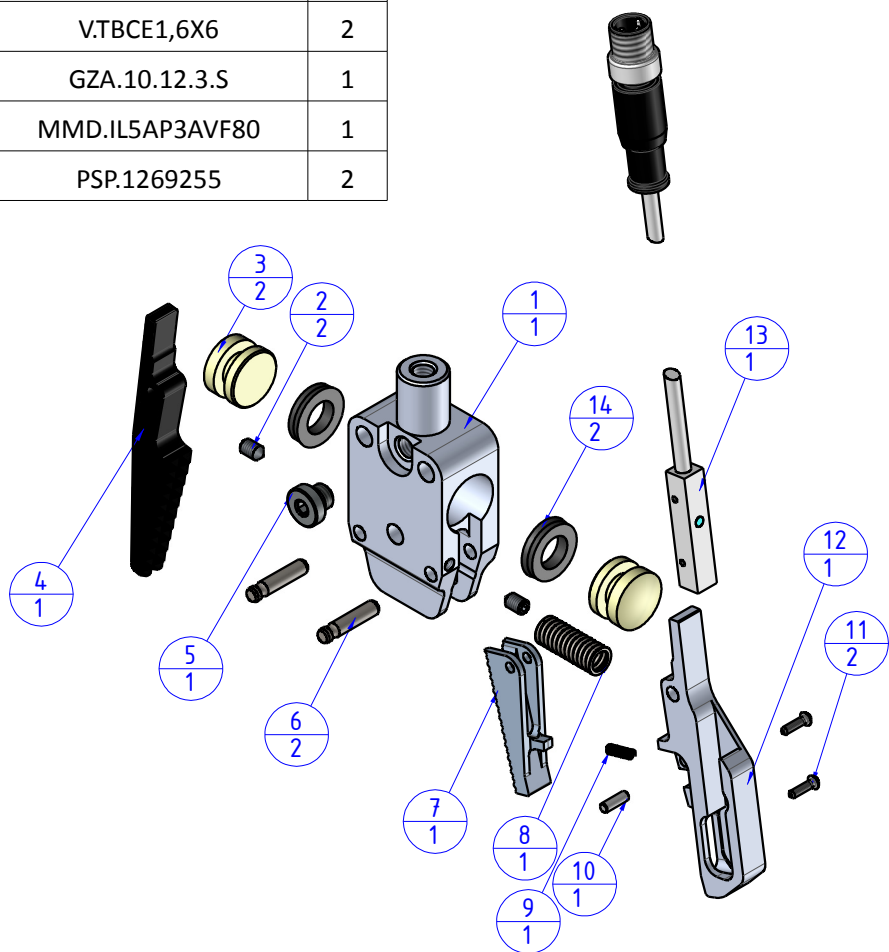
MODIFICATIONS

1	4
2	5
3	6

VARIED DIMENSIONS AS OF DATE:

Format A3  
UNI 936-76

Item	Name	Qty.
1	GZA.10.12.1.L	1
2	V.STM3X5	2
3	GZA.10.12.2	2
4	GZA.10.12.3	1
5	CA.08.14.013	1
6	GZA.10.12.5	2
7	GZA.10.12.3.S1	1
8	M.6x25.SH	1
9	DIM.D10620	1
10	SP.2x6	1
11	V.TBCE1,6X6	2
12	GZA.10.12.3.S	1
13	MMD.IL5AP3AVF80	1
14	PSP.1269255	2



		DESIGNED FROM	
		FPSERVICES	
GENERAL TOLERANCE		DATE	WEIGHT
UNI - ISO 2768		25/09/2017	0,065kg
CLASSE f		CODE	
		CA.GZA.10.12.S	