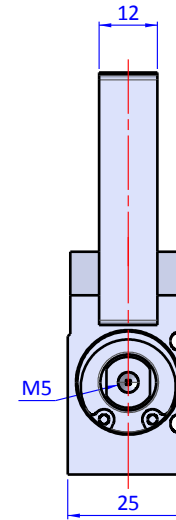
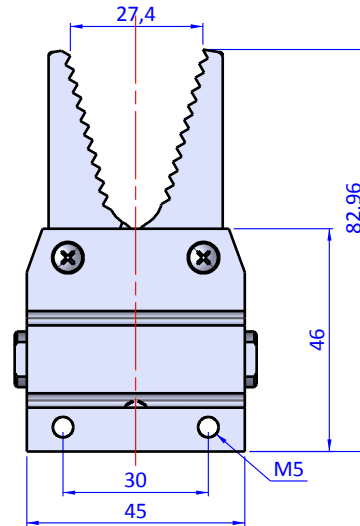
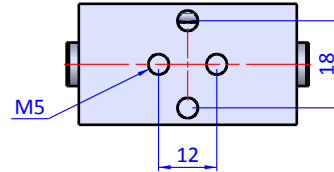
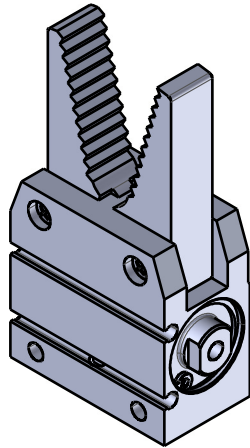


THE PROPERTY OF THE DRAWING IS ESTABLISHED BY LAW
IT IS FORBIDDEN TO PRODUCE OR SHOW IT TO THIRD PART
WITHOUT A WRITTEN AGREEMENT.

MODIFICAZIONI	VARIEDI	NUMEROSI	DI	DATE
7		10		
8		11		
9		12		

MODIFICAZIONI	VARIEDI	NUMEROSI	DI	DATE
1		4		
2		5		
3		6		

Format A3
UNI 936-76



FP SERVICES AUTOMATION		DESIGNED FROM FPSERVICES	
GENERAL TOLERANCE UNI - ISO 2768 CLASSE I		DATE 02/05/2017	WEIGHT 0,115kg
		CODE CA.GZA.AA24.NO	