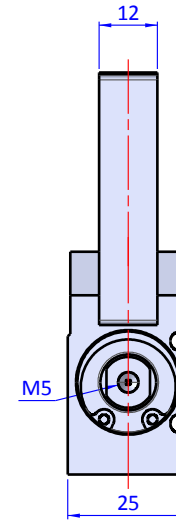
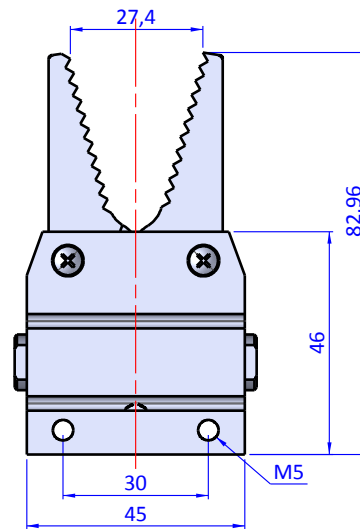
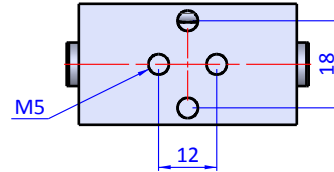
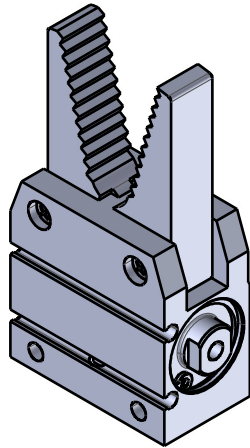


THE PROPERTY OF THE DRAWING IS ESTABLISHED BY LAW  
IT IS FORBIDDEN TO PRODUCE OR SHOW IT TO THIRD PART  
WITHOUT A WRITTEN AGREEMENT.

MODIFICAZIONI	VARIED IMMERSIOIS AS OF DATE
7	10
8	11
9	12

MODIFICAZIONI	VARIED IMMERSIOIS AS OF DATE
1	4
2	5
3	6

Format A3  
UNI 936-76



<b>FP SERVICES</b> AUTOMATION		DESIGNED FROM <b>FPSERVICES</b>	
GENERAL TOLERANCE UNI - ISO 2768 CLASSE I		DATE 02/05/2017	WEIGHT 0,115kg
		CODE <b>CA.GZA.AA24</b>	