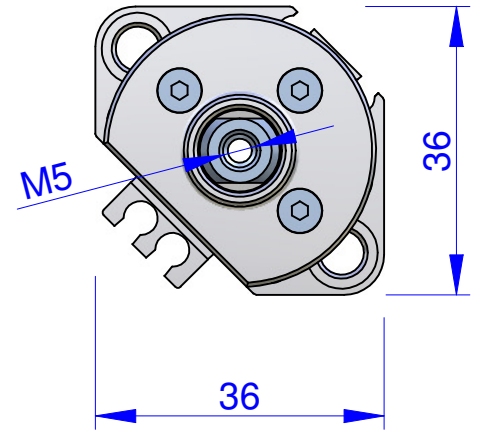
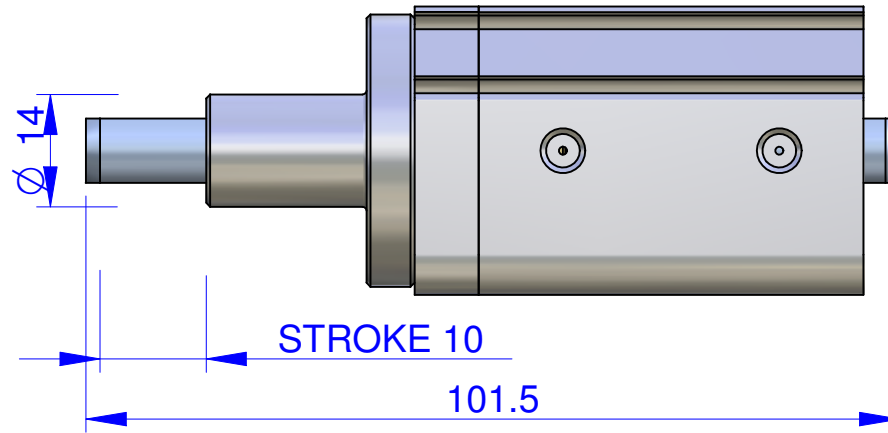
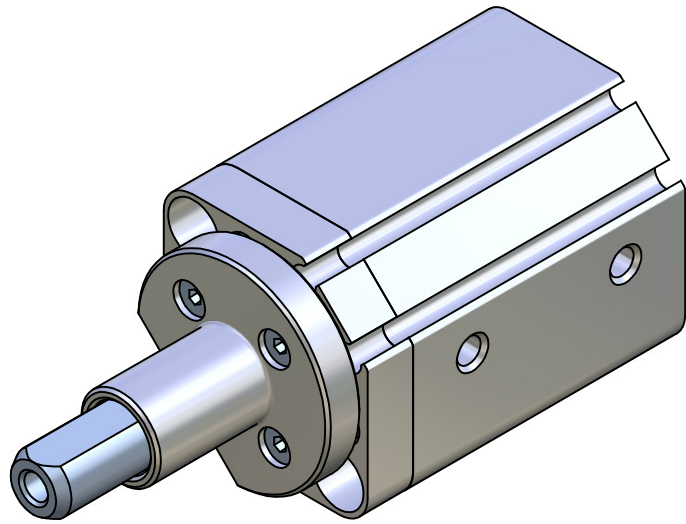


THE PROPERTY OF THIS DRAWING IS ESTABLISHED BY LAW
IT IS FORBIDDEN TO REPRODUCE IT OR SHOW IT TO THIRD PARTY
WITHOUT A WRITTEN AGREEMENT.



MODIFICATIONS: VARIED DIMENSIONS AS OF DATE:

| | |
|---|----|
| 7 | 10 |
| 8 | 11 |
| 9 | 12 |

MODIFICATIONS: VARIED DIMENSIONS AS OF DATE:

| | |
|---|---|
| 1 | 4 |
| 2 | 5 |
| 3 | 6 |

Format A3
UNI 936-76

| | | | |
|--|--|--------------------------------|--------------------|
| FP Services | | DESIGNED FROM FPSERVICES | |
| GENERAL TOLERANCE: UNI - ISO 2768 CLASSE f | | DATE 08/2015 | WEIGHT 0,135 kg |
| DESCRIPTION | | CODE CA.KHZ.20141005 | |