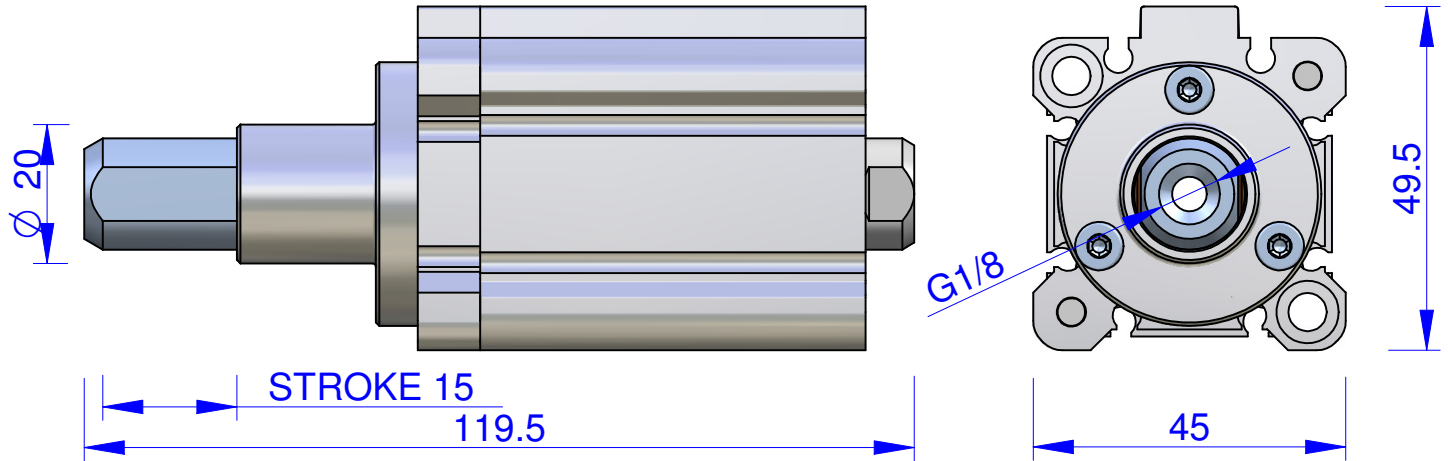
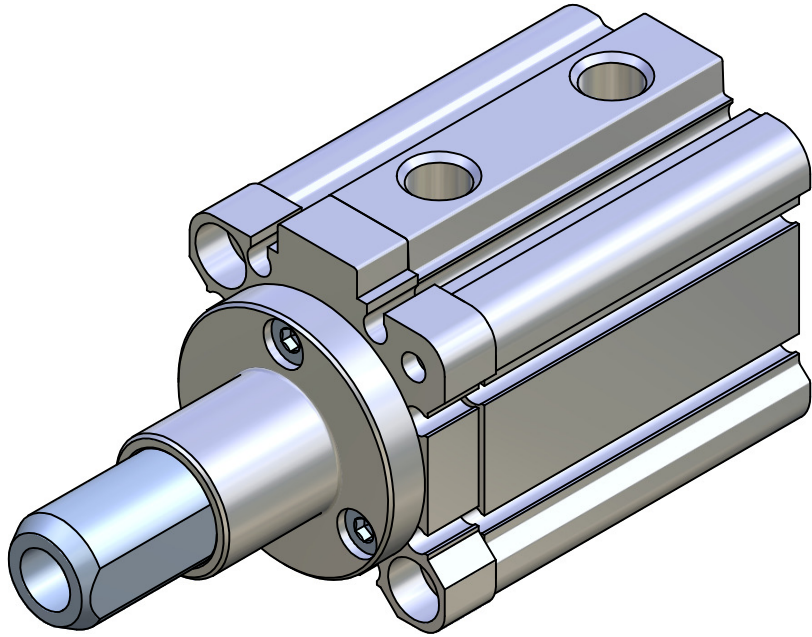


THE PROPERTY OF THIS DRAWING IS ESTABLISHED BY LAW
IT IS FORBIDDEN TO REPRODUCE IT OR SHOW IT TO THIRD PARTY
WITHOUT A WRITTEN AGREEMENT.



MODIFICATIONS:

7	VARIED DIMENSIONS AS OF DATE:
8	10
9	11
	12

MODIFICATIONS:

1	VARIED DIMENSIONS AS OF DATE:
2	4
3	5
	6

Format A3
UNI 936-76

FP Services		DESIGNED FROM FPSERVICES	
GENERAL TOLERANCE: UNI - ISO 2768 CLASSE f		DATE 08/2015	WEIGHT 0,257 kg
DESCRIPTION		CODE CA.KHZ.32201518	