

THE PROPERTY OF THE DRAWING IS ESTABLISHED BY LAW
IT IS FORBIDDEN TO PRODUCE OR SHOW IT TO THIRD PARTY
WITHOUT A WRITTEN AGREEMENT.

MODIFICATIONS

7	10
8	11
9	12

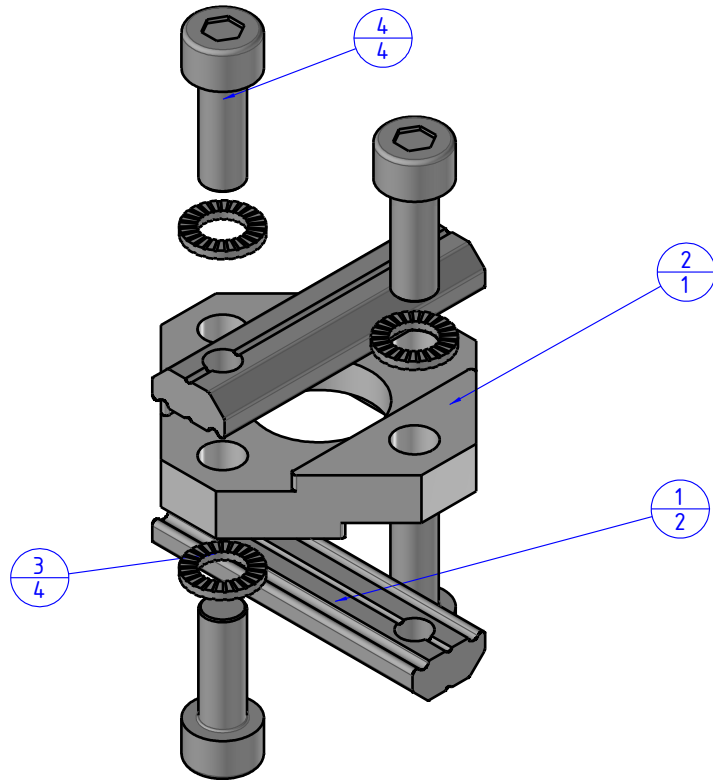
VARIED DIMENSIONS AS OF DATE:

MODIFICATIONS

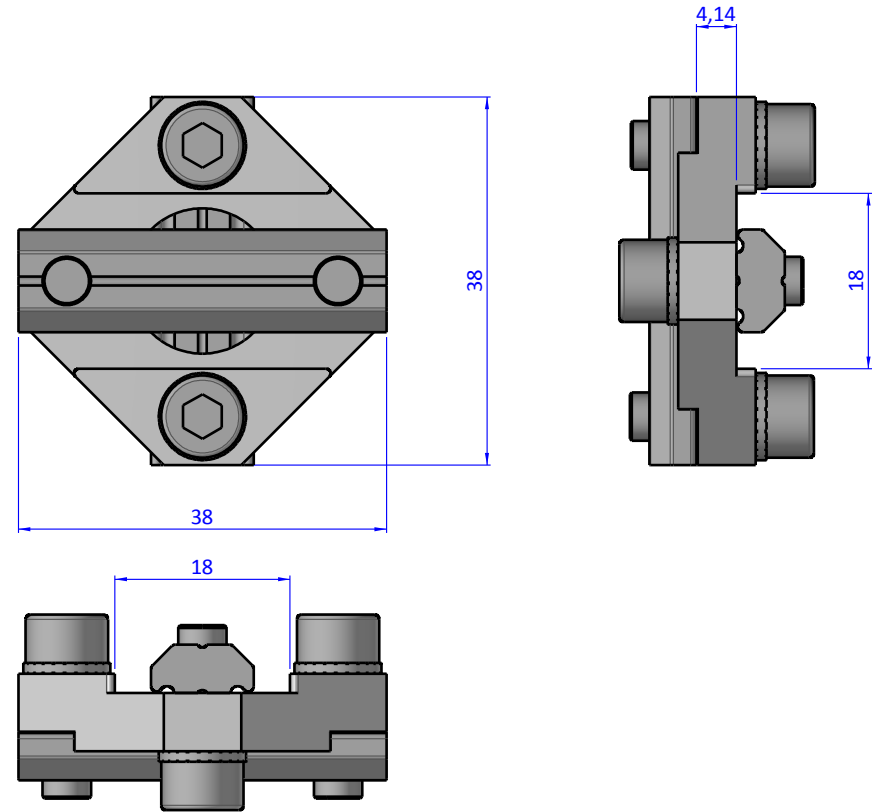
1	4
2	5
3	6

VARIED DIMENSIONS AS OF DATE:

Format A3
UNI 936-76



Object Number	Name	QTY
1	CA.GWP.5.28	2
2	KPLL.1818	1
3	R.5.SCH	4
4	V-tcei M 5 x 14	4



		DESIGNED FROM	
		FPSERVICES	
GENERAL TOLERANCE		DATE	WEIGHT
UNI - ISO 2768		10/02/2017	0,030kg
CLASSE I		CODE	
CA.KPLL.1818		CA.KPLL.1818	