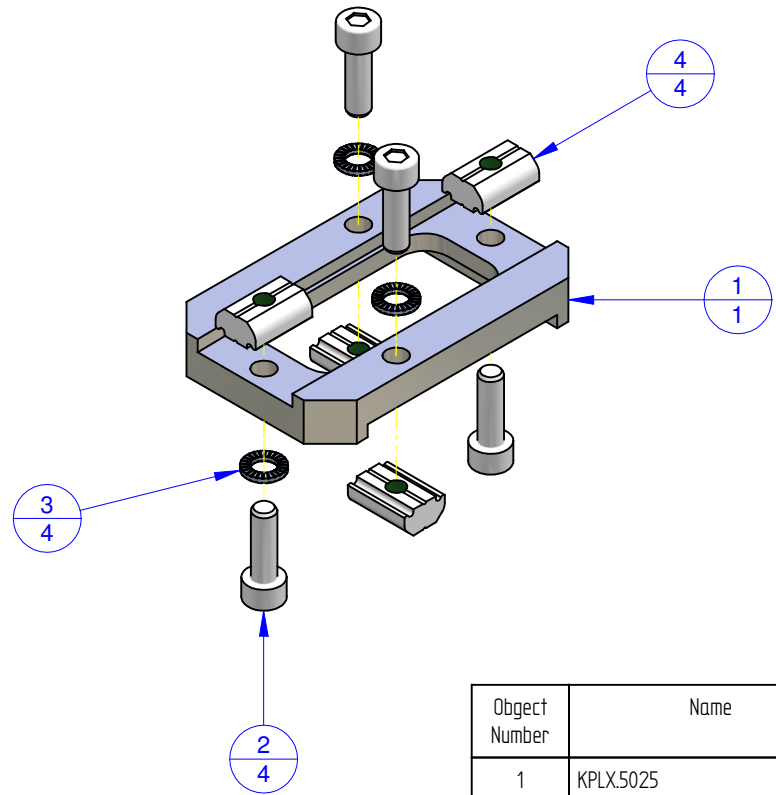


THE PROPERTY OF THIS DRAWING IS ESTABLISHED BY LAW  
IT IS FORBIDDEN TO REPRODUCE IT OR SHOW IT TO THIRD PARTY  
WITHOUT A WRITTEN AGREEMENT.

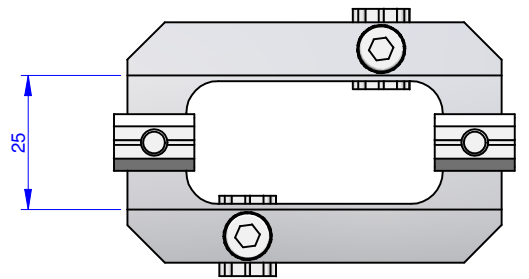
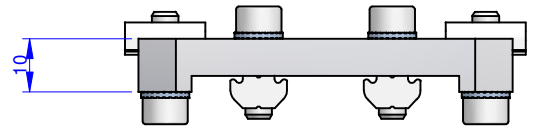
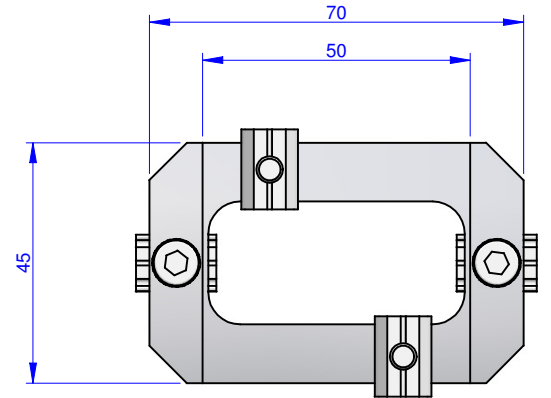
MODIFICATIONS: \_\_\_\_\_  
 (7) \_\_\_\_\_ (10) \_\_\_\_\_  
 (8) \_\_\_\_\_ (11) \_\_\_\_\_  
 (9) \_\_\_\_\_ (12) \_\_\_\_\_

MODIFICATIONS: \_\_\_\_\_  
 (1) \_\_\_\_\_ (4) \_\_\_\_\_  
 (2) \_\_\_\_\_ (5) \_\_\_\_\_  
 (3) \_\_\_\_\_ (6) \_\_\_\_\_

Format **A3**  
 UNI 936-76



Object Number	Name	QTY
1	KPLX.5025	1
2	V.TCE5X16	4
3	R.5.SCH	4
4	CA.GWP.5U	4



<b>FP Services</b>		DESIGNED FROM FPSERVICES	
		DATE 04/2013	WEIGHT 0,079 kg
GENERAL TOLERANCE: UNI - ISO 2768 CLASSE f		CODE <b>CA.KPLX.5025</b>	