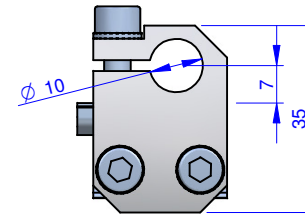
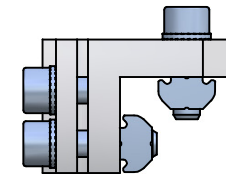
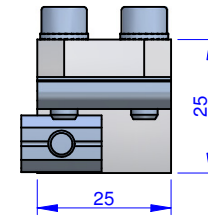
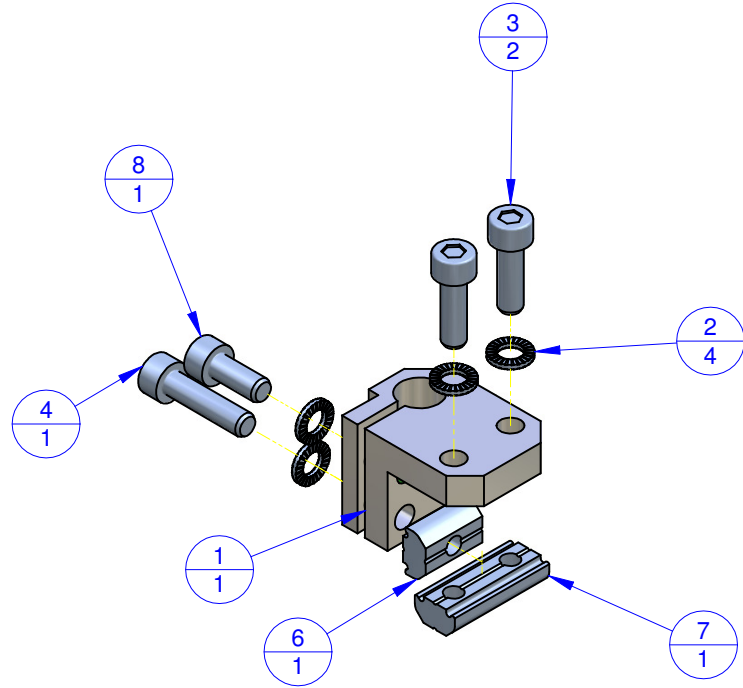


THE PROPERTY OF THIS DRAWING IS ESTABLISHED BY LAW
IT IS FORBIDDEN TO REPRODUCE IT OR SHOW IT TO THIRD PARTY
WITHOUT A WRITTEN AGREEMENT.



Object Number	Name	QTY
1	KSW.10.X	1
2	R.5.SCH	4
3	V.TCE5X16	2
4	V.TCE5X20	1
6	CA.GWP.5U	1
7	CA.GWP.5.15	1
8	V.TCE M5X12	1

MODIFICATIONS:

7	10
8	11
9	12

VARIED DIMENSIONS AS OF DATE:

MODIFICATIONS:

1	4
2	5
3	6

VARIED DIMENSIONS AS OF DATE:

Format **A3**
UNI 936-76

FP Services		DESIGNED FROM FPSERVICES	
		DATE 07/2014	WEIGHT 0,057 kg
GENERAL TOLERANCE: UNI - ISO 2768 CLASSE f		DESCRIPTION CA.KSW.10.X	

