

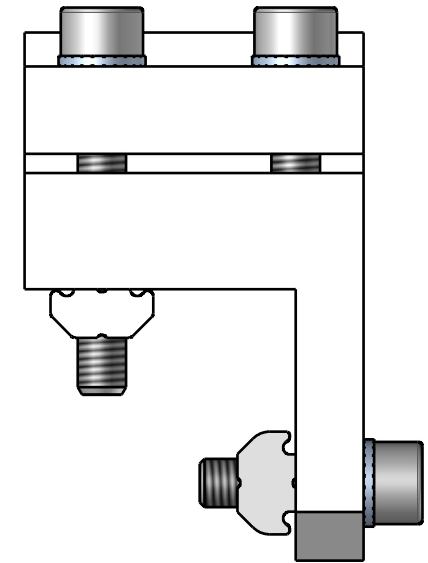
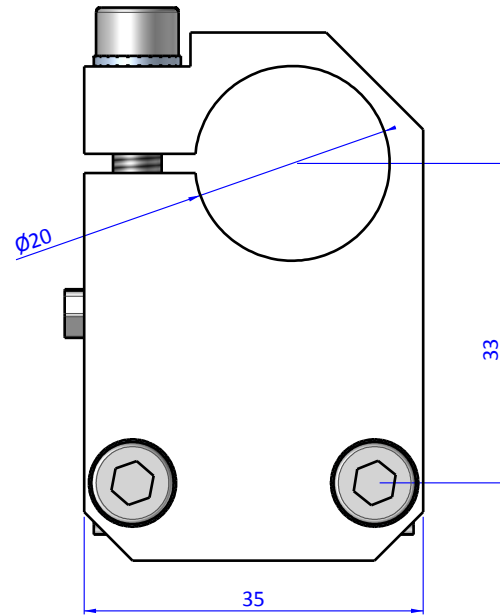
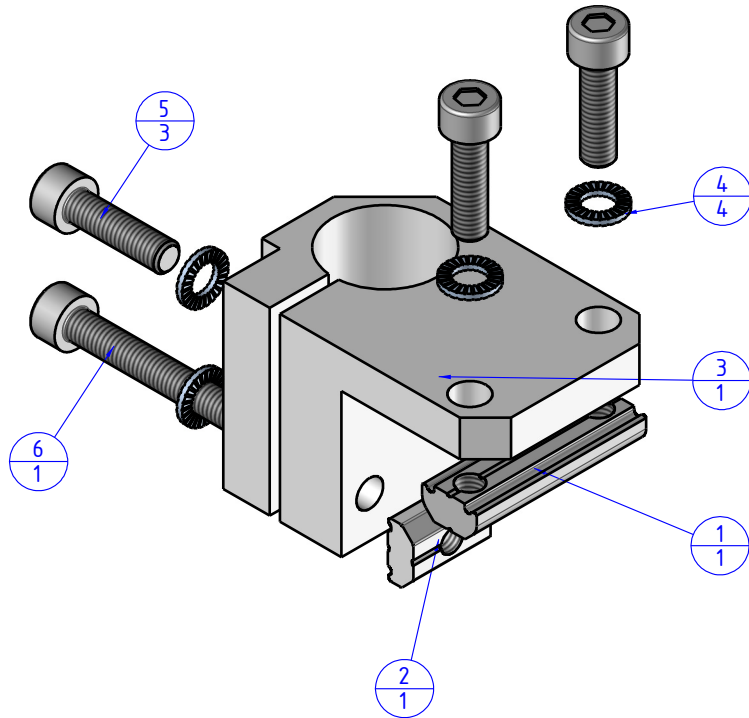
THE PROPERTY OF THE DRAWING IS ESTABLISHED BY LAW
IT IS FORBIDDEN TO PRODUCE OR SHOW IT TO THIRD PART
WITHOUT A WRITTEN AGREEMENT.

MODIFICATIONS	VARIED DIMENSIONS OF DATE
7	10
8	11
9	12

MODIFICATIONS	VARIED DIMENSIONS OF DATE
1	4
2	5
3	6

Format A3
UNI 936-76

Item	Name	Qty.
1	CA.GWP.5.25	1
2	GWP.5U	1
3	KSW.20.JU	1
4	R.5.SCH	4
5	V.TCE5x18	3
6	V.TCE5x35	1



		DESIGNED FROM	
		FPSERVICES	
GENERAL TOLERANCE		DATE	WEIGHT
UNI - ISO 2768		30/08/2017	0,103kg
CLASSE f		CODE	
CA.KSW.20.JU		CA.KSW.20.JU	