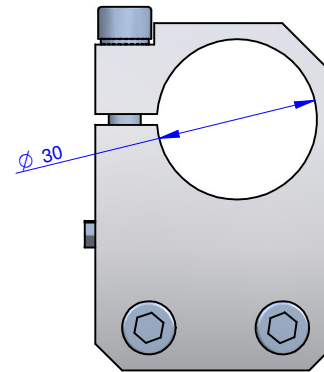
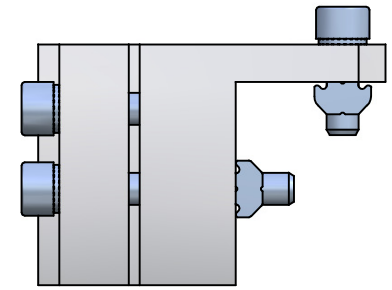
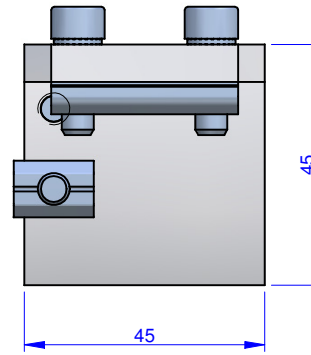
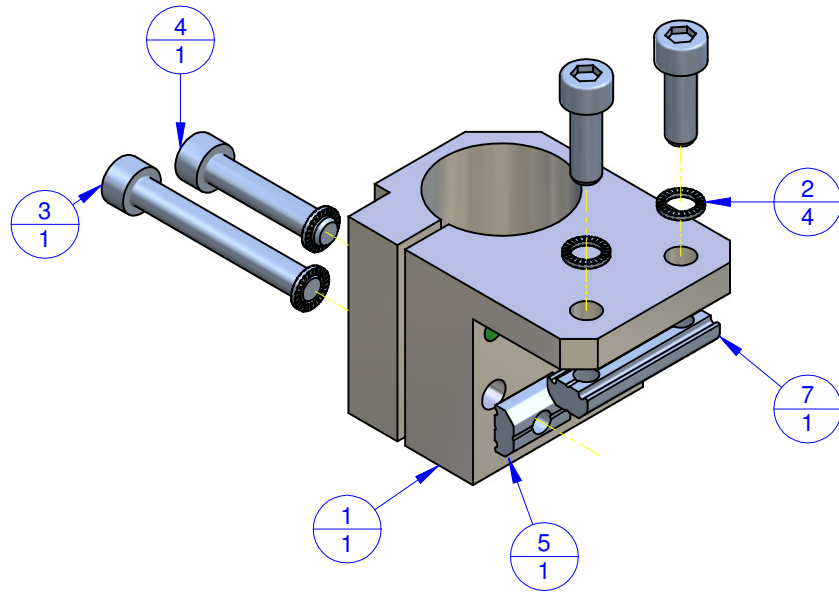


THE PROPERTY OF THIS DRAWING IS ESTABLISHED BY LAW
IT IS FORBIDDEN TO REPRODUCE IT OR SHOW IT TO THIRD PARTY
WITHOUT A WRITTEN AGREEMENT.



Object Number	Name	QTY
1	KSW.30_JU	1
2	R.6.SCH	4
3	V.TCE6X45	1
4	V.TCE M6X30	1
5	CA.GWP.6U	1
6*	V.TCEI M6X18	2
7	CA.GWP.6.25	1

MODIFICATIONS:

7	
8	
9	

VARIED DIMENSIONS AS OF DATE:

10	
11	
12	

MODIFICATIONS:

1	
2	
3	

VARIED DIMENSIONS AS OF DATE:

4	
5	
6	

Format **A3**
UNI 936-76

FP Services		DESIGNED FROM FPSERVICES	
		DATE 09/2013	WEIGHT 0,177 kg
GENERAL TOLERANCE: UNI - ISO 2768 CLASSE f	DESCRIPTION	CODE CA.KSW.30.JU	