

THE PROPERTY OF THIS DRAWING IS ESTABLISHED BY LAW
IT IS FORBIDDEN TO REPRODUCE IT OR SHOW IT TO THIRD PARTY
WITHOUT A WRITTEN AGREEMENT.

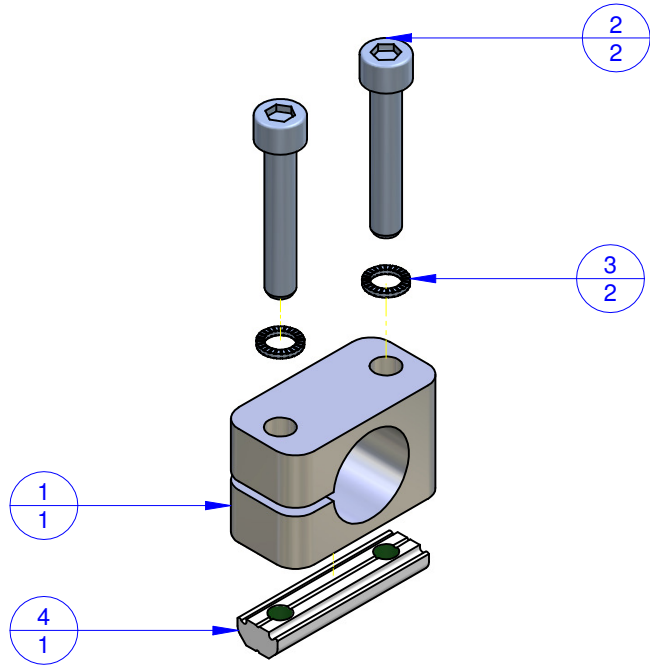
MODIFICATIONS: VARIED DIMENSIONS AS OF DATE:

| | |
|---|----|
| 7 | 10 |
| 8 | 11 |
| 9 | 12 |

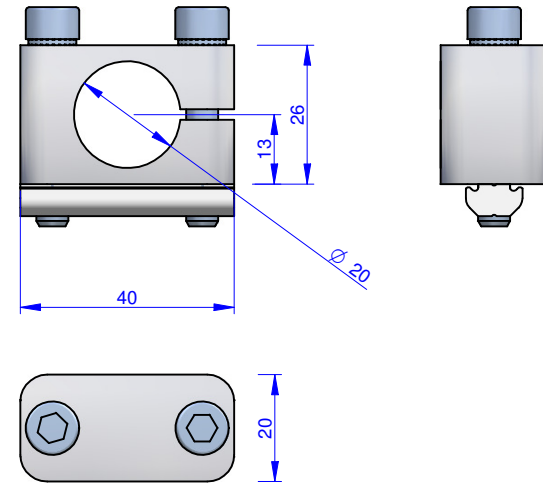
MODIFICATIONS: VARIED DIMENSIONS AS OF DATE:

| | |
|---|---|
| 1 | 4 |
| 2 | 5 |
| 3 | 6 |

Format **A3**
UNI 936-76



| Object Number | Name | QTY |
|---------------|--------------|-----|
| 1 | KVB_JU20 | 1 |
| 2 | V.TCEI M6X35 | 2 |
| 3 | R.6.SCH | 2 |
| 4 | CA.GWP.6.28 | 1 |



| | | | |
|--|--|-----------------------------|--------------------|
| FP Services | | DESIGNED FROM FPSERVICES | |
| GENERAL TOLERANCE: UNI - ISO 2768 CLASSE f | | DATE 02/2013 | WEIGHT 0,071 kg |
| DESCRIPTION | | CODE CA.KVB.JU20 | |

