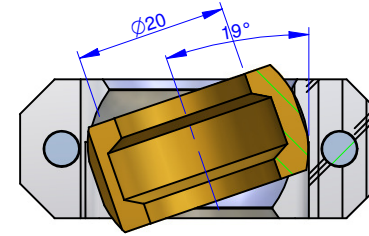
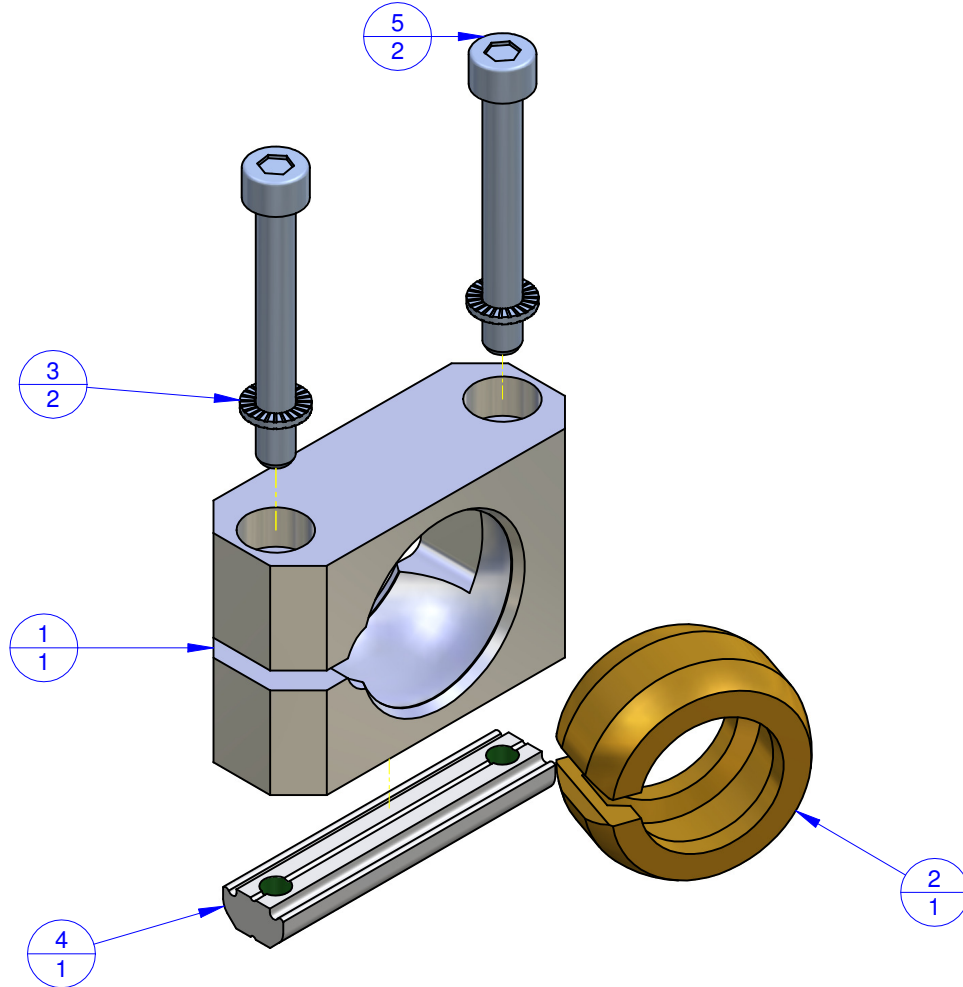
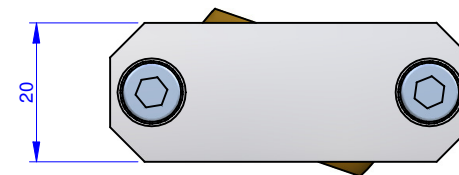
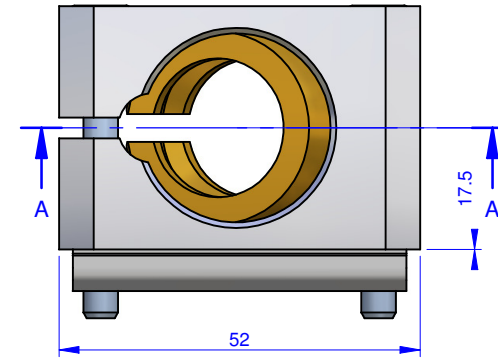


THE PROPERTY OF THIS DRAWING IS ESTABLISHED BY LAW
IT IS FORBIDDEN TO REPRODUCE IT OR SHOW IT TO THIRD PARTY
WITHOUT A WRITTEN AGREEMENT.



SEZIONE A-A



Object Number	Name	QTY
1	KVB.KG.JU20	1
2	WSL.KG.JU.20.3	1
3	R.5.SCH	2
4	CAGWP.5.40	1
5	V.TCE M5X40	2

MODIFICATIONS:

7	10
8	11
9	12

VARIED DIMENSIONS AS OF DATE:

MODIFICATIONS:

1	4
2	5
3	6

VARIED DIMENSIONS AS OF DATE:

Format **A3**
UNI 936-76

FP Services <small>GENERAL TOLERANCE: UNI - ISO 2768 CLASSE f</small>	<small>DESCRIPTION</small>	<small>DESIGNED FROM</small> FPSERVICES
		<small>DATE</small> 07/2014
<small>CODE</small> CA.KVB.KG.JU20		

