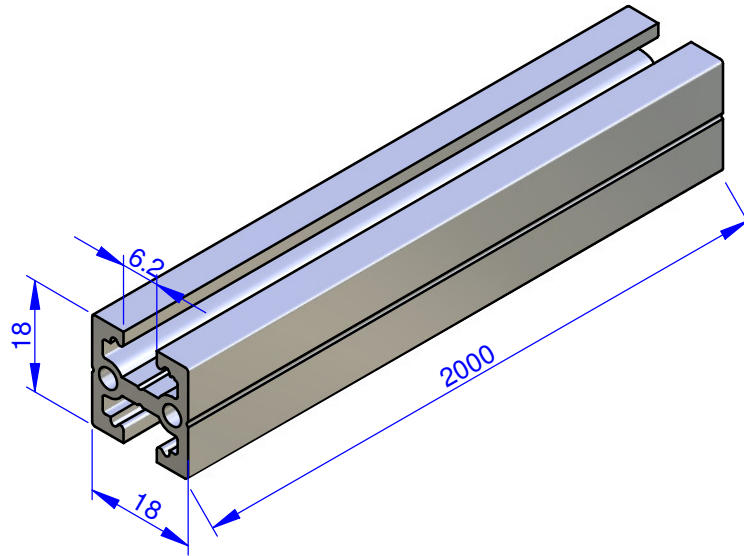


THE PROPERTY OF THIS DRAWING IS ESTABLISHED BY LAW
IT IS FORBIDDEN TO REPRODUCE IT OR SHOW IT TO THIRD PARTY
WITHOUT A WRITTEN AGREEMENT.



MODIFICATIONS: VARIED DIMENSIONS AS OF DATE:

- 7. _____
- 8. _____
- 9. _____
- 10. _____
- 11. _____
- 12. _____

MODIFICATIONS: VARIED DIMENSIONS AS OF DATE:

- 1. _____
- 2. _____
- 3. _____
- 4. _____
- 5. _____
- 6. _____

FP Services



DESIGNED FROM		FPSERVICES	
DATE	05/2014	WEIGHT	0,821 kg
CODE	CA.L.1818.2000		

Format **A4**
UNI 936-76

GENERAL TOLERANCE:
UNI - ISO 2768
CLASSE f

DESCRIPTION

