

THE PROPERTY OF THE DRAWING IS ESTABLISHED BY LAW  
IT IS FORBIDDEN TO PRODUCE OR SHOW IT TO THIRD PART  
WITHOUT A WRITTEN AGREEMENT.

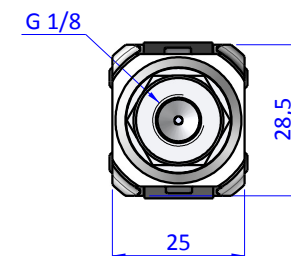
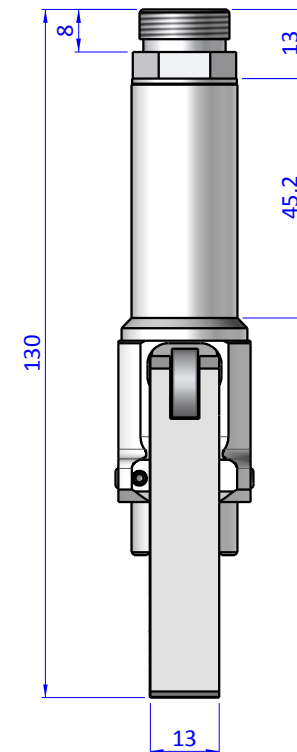
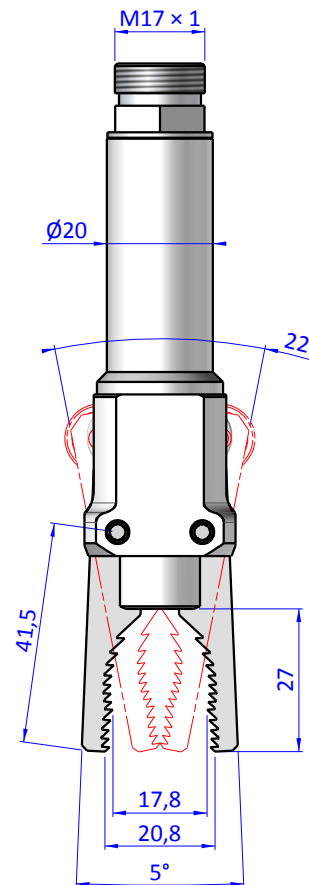
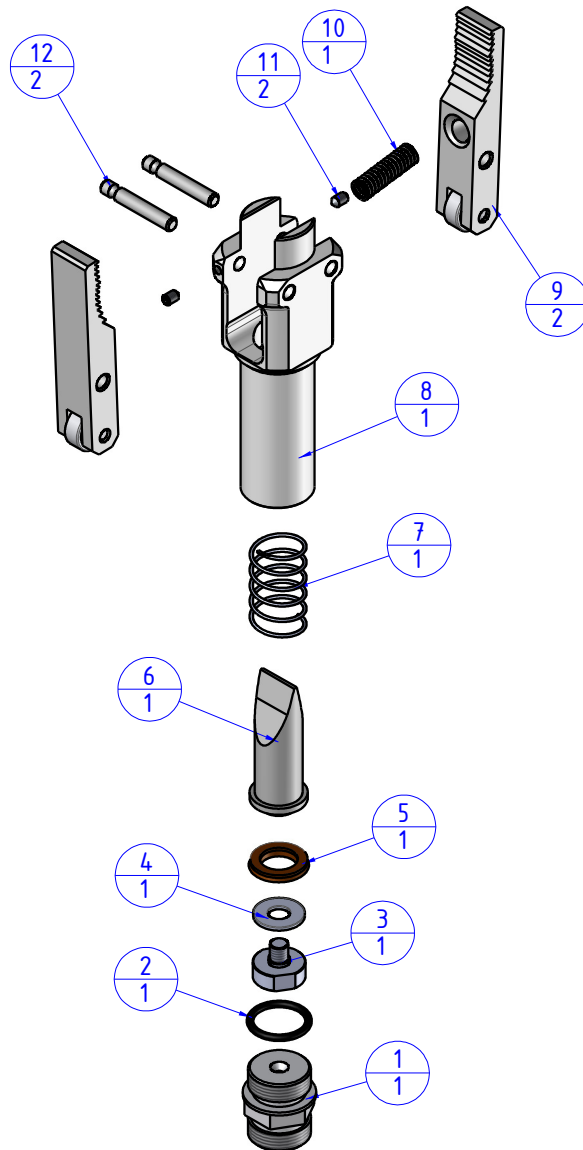
|               |                               |    |    |
|---------------|-------------------------------|----|----|
| MODIFICATIONS | VARIED DIMENSIONS AS OF DATE: |    |    |
| 7             | 10                            | 11 | 12 |
| 8             |                               |    |    |
| 9             |                               |    |    |

|               |                               |   |   |
|---------------|-------------------------------|---|---|
| MODIFICATIONS | VARIED DIMENSIONS AS OF DATE: |   |   |
| 1             | 4                             | 5 | 6 |
| 2             |                               |   |   |
| 3             |                               |   |   |

Format A3

UNI 936-76

| Item | Name          | QTY |
|------|---------------|-----|
| 1    | GRF20.95.01   | 1   |
| 2    | OR.2056       | 1   |
| 3    | GRF20.95.03.2 | 1   |
| 4    | GRF20.95.10   | 1   |
| 5    | PSP.1610255   | 1   |
| 6    | DD.20.05      | 1   |
| 7    | M.GRF.2095.1  | 1   |
| 8    | PAC.2016.1    | 1   |
| 9    | DD.20.16E.02  | 2   |
| 10   | M.6X35        | 1   |
| 11   | V.STM3X5      | 2   |
| 12   | PAC.2016.5    | 2   |



|   |  |                                    |                   |
|---|--|------------------------------------|-------------------|
| <b>FP SERVICES</b><br>AUTOMATION                |  | DESIGNED FROM<br><b>FPSERVICES</b> |                   |
| GENERAL TOLERANCE<br>UNI - ISO 2768<br>CLASSE f |  | DATE<br>17/11/2017                 | WEIGHT<br>0,104kg |
| DESCRIPTION                                     |  | CODE<br><b>CA.PAC20.16E</b>        |                   |