

THE PROPERTY OF THE DRAWING IS ESTABLISHED BY LAW
IT IS FORBIDDEN TO PRODUCE OR SHOW IT TO THIRD PART
WITHOUT A WRITTEN AGREEMENT.

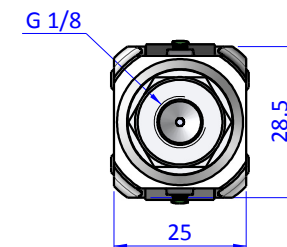
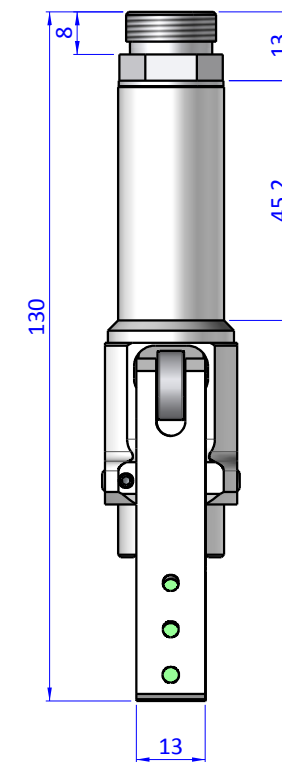
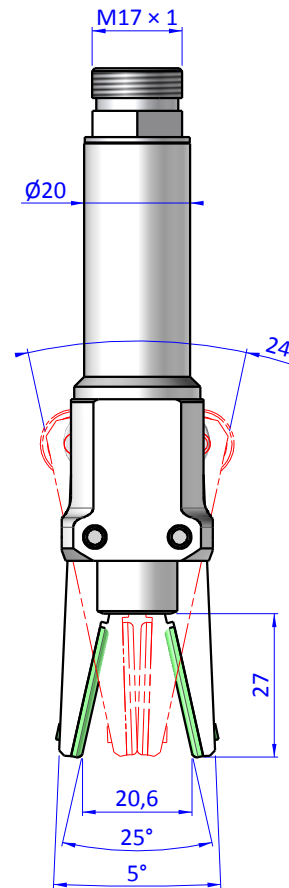
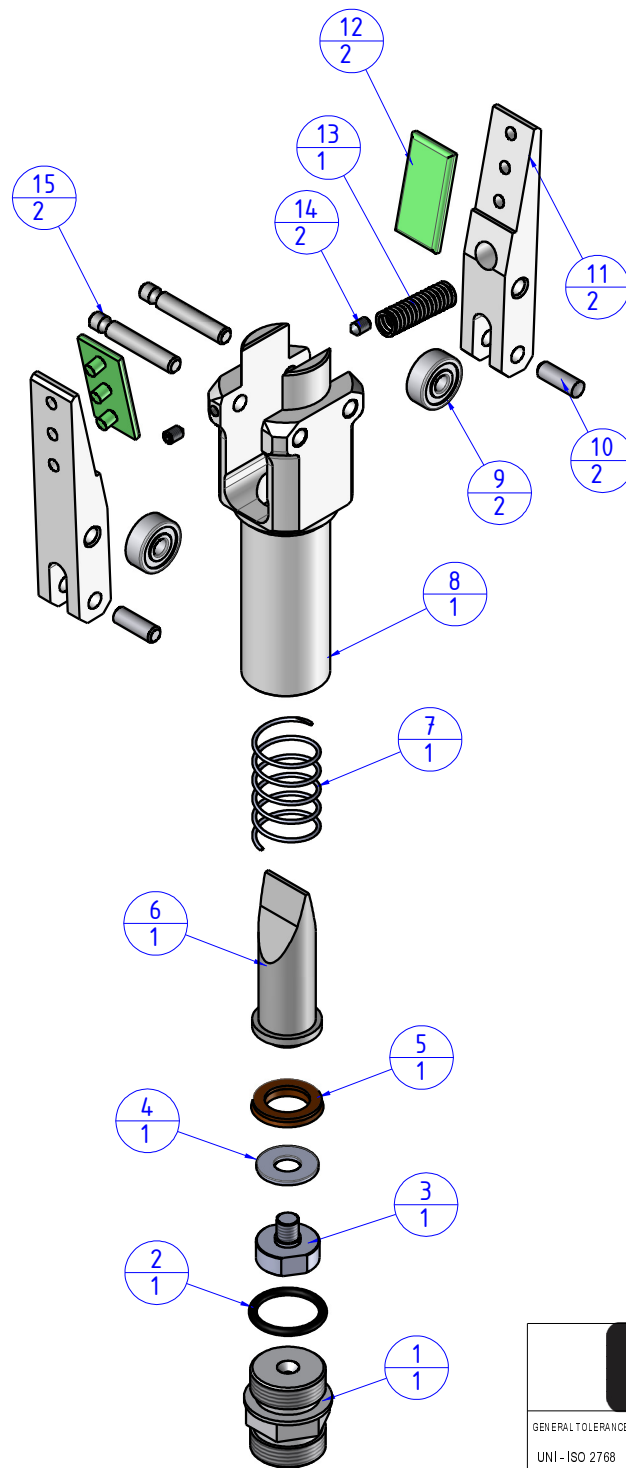
MODIFICATIONS	VARIED DIMENSIONS AS OF DATE:
7	10
8	11
9	12

MODIFICATIONS	VARIED DIMENSIONS AS OF DATE:
1	4
2	5
3	6

Format A3

UNI 936-76

Item	Name	Qty.
1	GRF20.95.01	1
2	OR.2056	1
3	GRF20.95.03.2	1
4	GRF20.95.10	1
5	PSP.1610255	1
6	DD.20.05	1
7	M.GRF.2095.1	1
8	PAC.2016.1	1
9	CUS.624.ZZ	2
10	SP.4x12M6	2
11	DD.20.16P.02	2
12	PAC.20.16P.03.V	2
13	M.6X35	1
14	V.STM3X5	2
15	PAC.2016.5	2



FP SERVICES AUTOMATION		DESIGNED FROM FPSERVICES	
GENERAL TOLERANCE UNI - ISO 2768 CLASSE f		DATE 17/11/2017	WEIGHT 0,102kg
DESCRIPTION		CODE CA.PAC20.16P	