

THE PROPERTY OF THE DRAWING IS ESTABLISHED BY LAW
IT IS FORBIDDEN TO PRODUCE OR SHOW IT TO THIRD PARTY
WITHOUT A WRITTEN AGREEMENT.

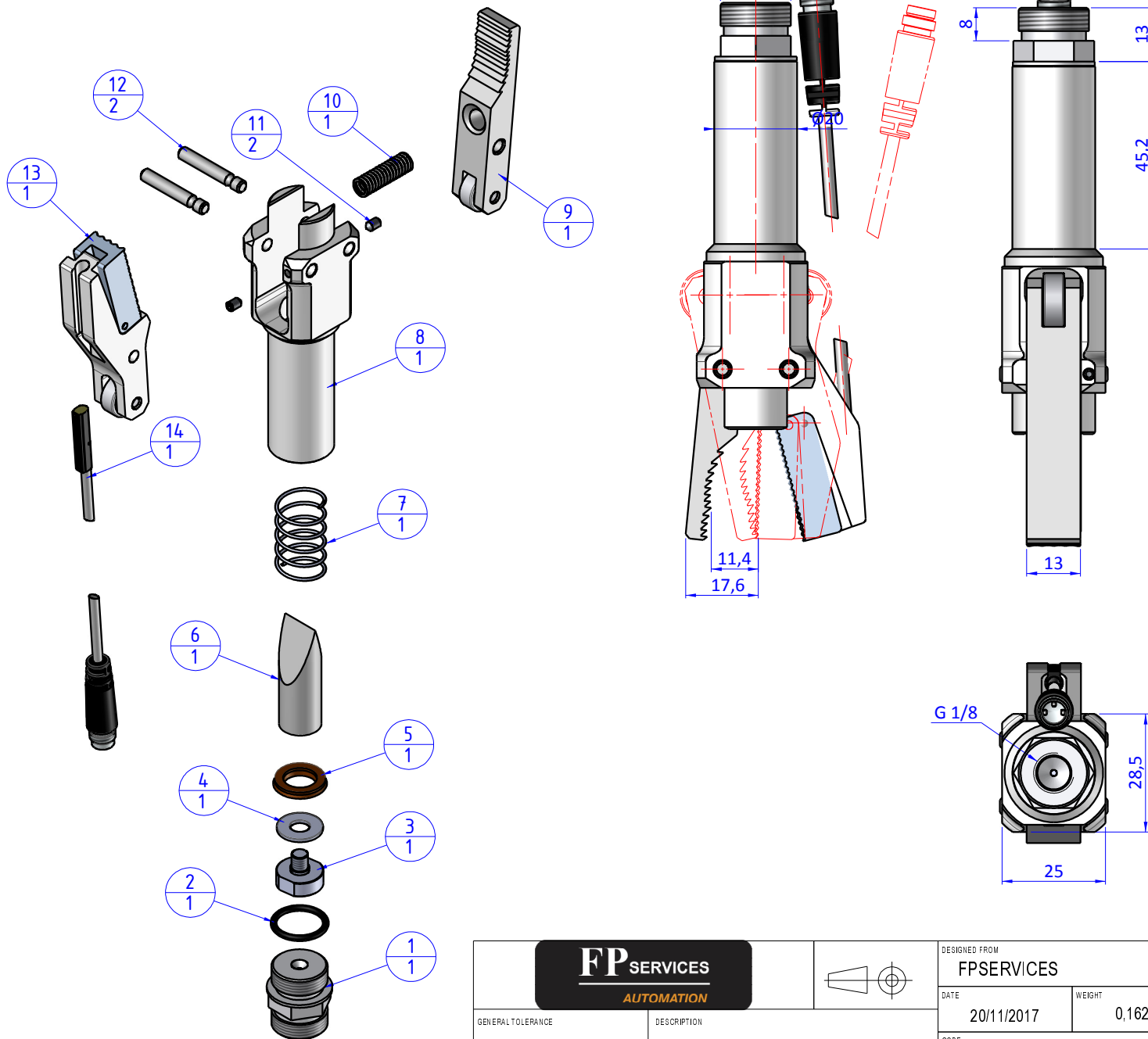
MODIFICATIONS	VARIED DIMENSIONS AS OF DATE:		
7	10	11	12
8			
9			

MODIFICATIONS	VARIED DIMENSIONS AS OF DATE:		
1	4	5	6
2			
3			

Format A3

UNI 936-76

Item	Name	QTY
1	GRF20.95.01	1
2	OR.2056	1
3	GRF20.95.03.2	1
4	GRF20.95.10	1
5	PSP.1610255	1
6	DD.20.02	1
7	M.GRF.2095.1	1
8	PAC.2016.1	1
9	DD.20.16E.02	1
10	M.6X35	1
11	V.STM3X5	2
12	PAC.2016.5	2
13	DD.20.16M.02	1
14	KT58PM8	1



		DESIGNED FROM	
		FPSERVICES	
GENERAL TOLERANCE		DATE	WEIGHT
UNI - ISO 2768		20/11/2017	0,162kg
CLASSE f		CODE	
		CA.PAC20.16W	