

THE PROPERTY OF THE DRAWING IS ESTABLISHED BY LAW
IT IS FORBIDDEN TO PRODUCE OR SHOW IT TO THIRD PART
WITHOUT A WRITTEN AGREEMENT.

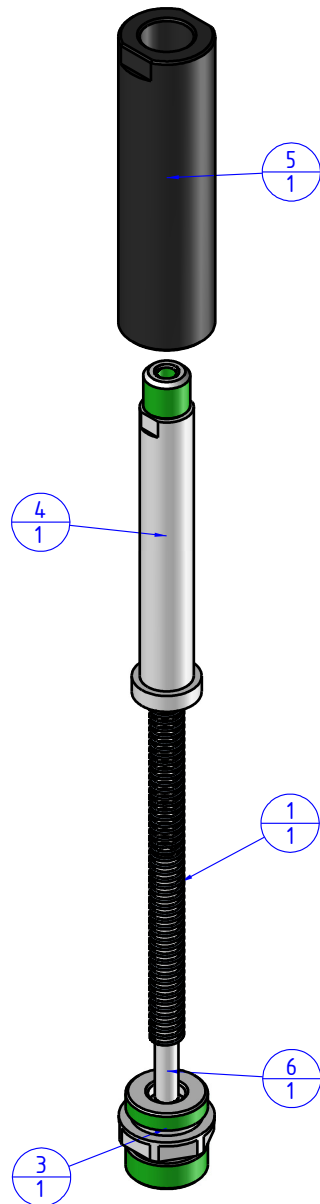
MODIFICAZIONI VARIED IMMERSIOIS AS OF DATE:

7	10
8	11
9	12

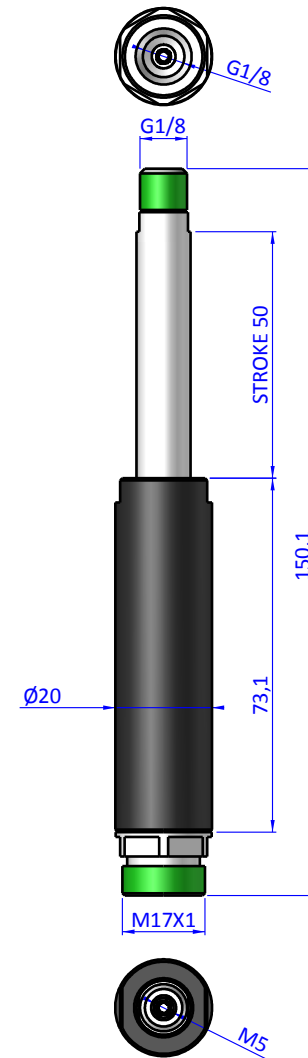
MODIFICAZIONI VARIED IMMERSIOIS AS OF DATE:

1	4
2	5
3	6

Format A3
UNI 936-76



Obget Number	Name	QTY
1	M.8X145	1
3	VSS.20.3	1
4	VSS.2050.1	1
5	VSS.2050.2	1
6	VSS.2050.3	1



FP SERVICES AUTOMATION		DESIGNED FROM FPSERVICES	
UNI - ISO 2768 CLASSE I		DATE 31/08/2016	WEIGHT 0,055kg
CA.SAR.2050		CODE CA.SAR.2050	