

THE PROPERTY OF THE DRAWING IS ESTABLISHED BY LAW  
IT IS FORBIDDEN TO PRODUCE OR SHOW IT TO THIRD PART  
WITHOUT A WRITTEN AGREEMENT.

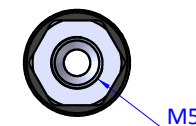
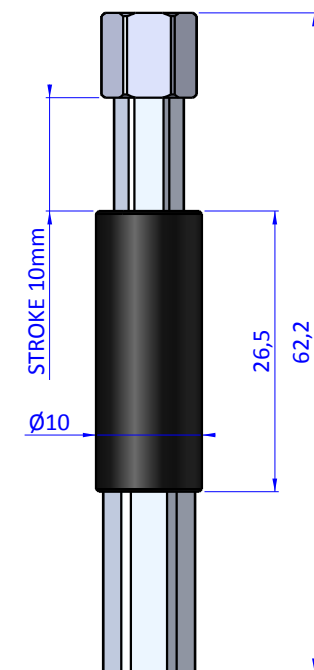
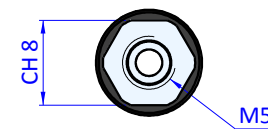
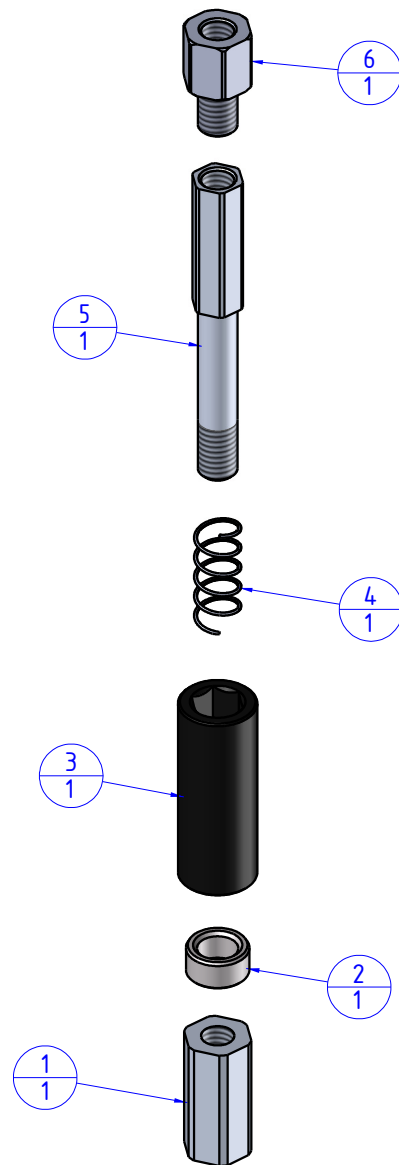
MODIFICATIONS	VARIED DIMENSIONS AS OF DATE:		
7	10	11	12
8			
9			

MODIFICATIONS	VARIED DIMENSIONS AS OF DATE:		
1	4	5	6
2			
3			

Format A3

UNI 936-76

Item	Name	Q.ty
1	VSN.10.1	1
2	VSN.1010.3	1
3	VSN.1010.2.1	1
4	M.5.9X20B	1
5	VSN.1010.4	1
6	VSN.10.2	1



		DESIGNED FROM		REVIEW
		FPSERVICES		A / 4
GENERAL TOLERANCE		DATE	WEIGHT	
UNI - ISO 2768		20/12/2017	0,008kg	
CLASSE f		CODE		
		CA.SDN.1010		