

THE PROPERTY OF THE DRAWING IS ESTABLISHED BY LAW
IT IS FORBIDDEN TO PRODUCE OR SHOW IT TO THIRD PART
WITHOUT A WRITTEN AGREEMENT.

MODIFICATIONS

7	10
8	11
9	12

VARIED DIMENSIONS AS OF DATE

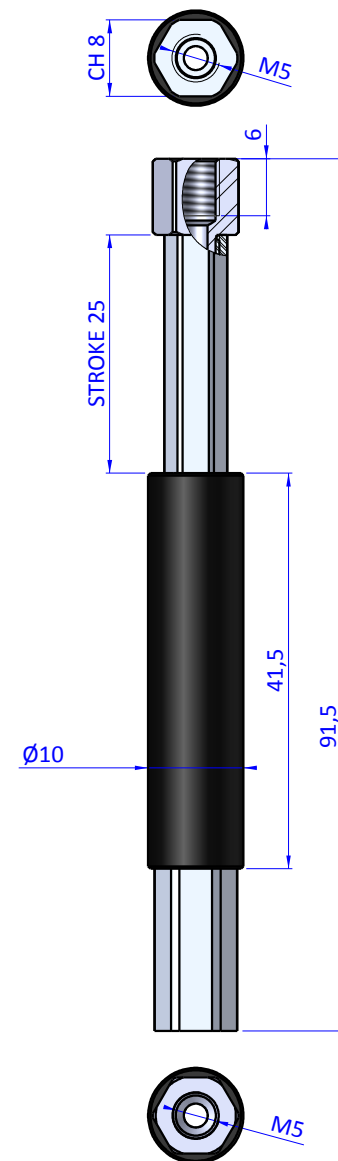
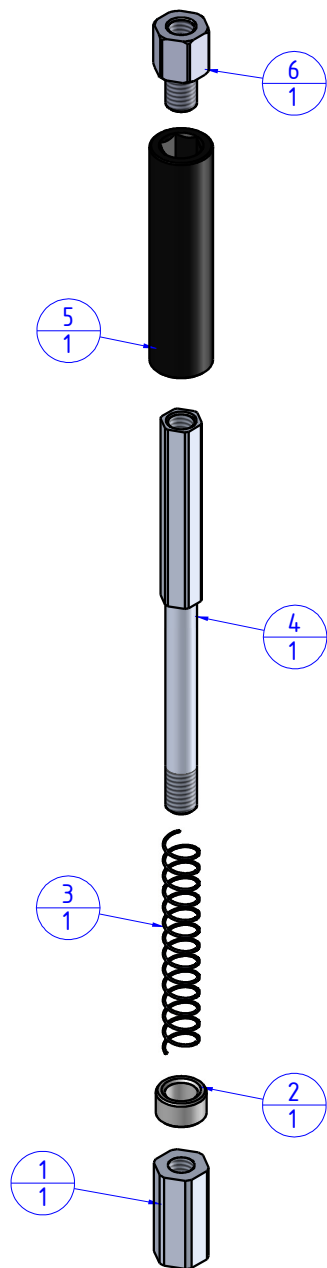
MODIFICATIONS

1	4
2	5
3	6

VARIED DIMENSIONS AS OF DATE

Format A3
UNI 936-76

Item	Name	Qty.
1	VSN.10.1	1
2	VSN.1025.3	1
3	M.5.8X38.50B	1
4	VSN.1025.4	1
5	VSN.1025.2.1	1
6	VSN.10.2	1



		DESIGNED FROM		REV.
		FPSERVICES		A / 6
GENERAL TOLERANCE		DATE	WEIGHT	
UNI - ISO 2768		04/01/2018	0,011kg	
CLASSE f		CODE		
		CA.SDN.1025		