

THE PROPERTY OF THE DRAWING IS ESTABLISHED BY LAW
IT IS FORBIDDEN TO PRODUCE OR SHOW IT TO THIRD PARTY
WITHOUT A WRITTEN AGREEMENT.

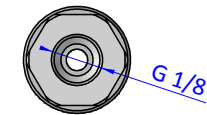
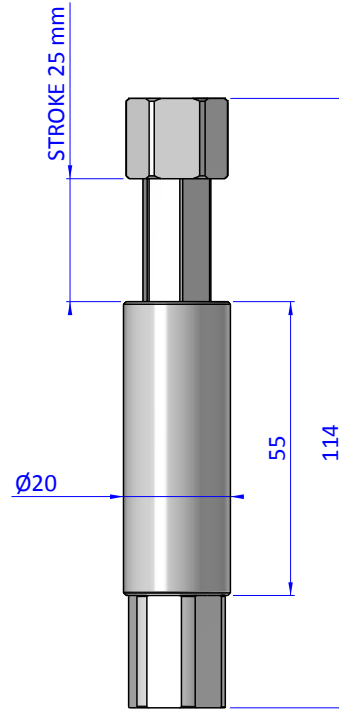
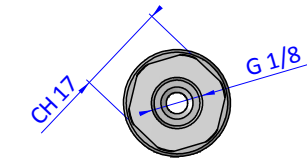
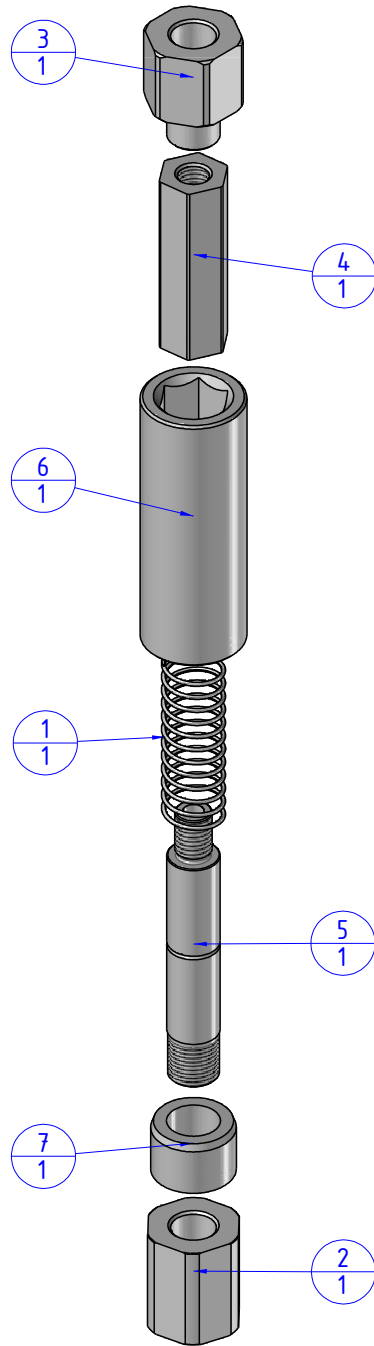
MODIFICATIONS AS OF DATE

10	11	12
7	8	9

MODIFICATIONS AS OF DATE

4	5	6
1	2	3

Format A3
UNI 936-76



Object Number	Name	QTY
1	M.12X39.50	1
2	VSN.20.1	1
3	VSN.20.2	1
4	VSN.2025.1.1	1
5	VSN.2025.1.2	1
6	VSN.2025.2.1	1
7	VSN.2025.3	1

		DESIGNED FROM	
		FP SERVICES	
GENERAL TOLERANCE		DATE	WEIGHT
UNI - ISO 2768		28/07/2016	0,036kg
CLASSE f		CODE	
		CA.SDN.2025	