

THE PROPERTY OF THE DRAWING IS ESTABLISHED BY LAW  
IT IS FORBIDDEN TO PRODUCE OR SHOW IT TO THIRD PARTY  
WITHOUT A WRITTEN AGREEMENT.

MODIFICATIONS

7	8	9
10	11	12

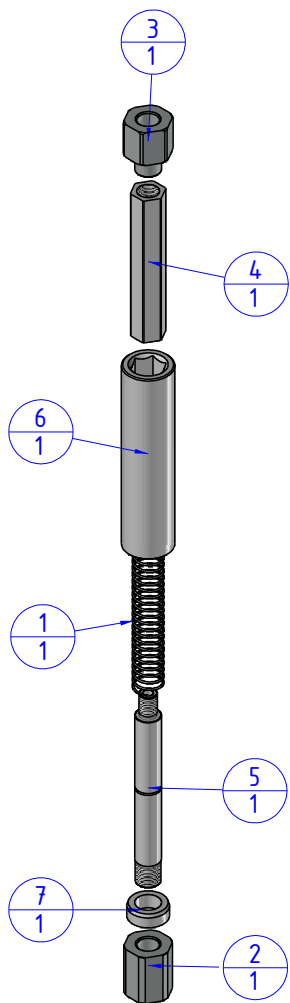
VARIED DIMENSIONS AS OF DATE

MODIFICATIONS

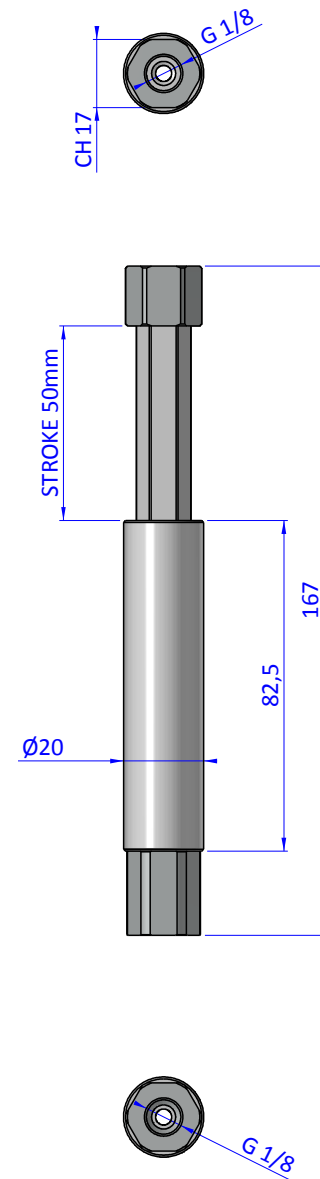
1	2	3
4	5	6

VARIED DIMENSIONS AS OF DATE

Format A3  
UNI 936-76



Object Number	Name	QTY
1	M.12X81.5	1
2	VSN.20.1	1
3	VSN.20.2	1
4	VSN.2050.1.1	1
5	VSN.2050.1.2	1
6	VSN.2050.2.1	1
7	VSN.2050.3	1



		DESIGNED FROM	
		FPSERVICES	
GENERAL TOLERANCE		DATE	WEIGHT
UNI - ISO 2768		29/07/2016	0,071kg
CLASSE f		CODE	
		CA.SDN.2050	