

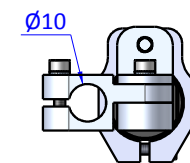
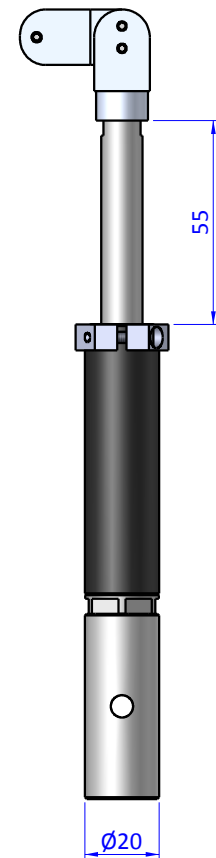
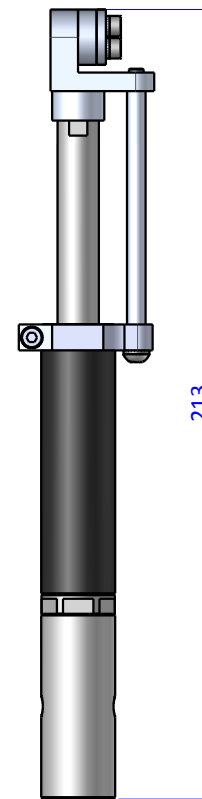
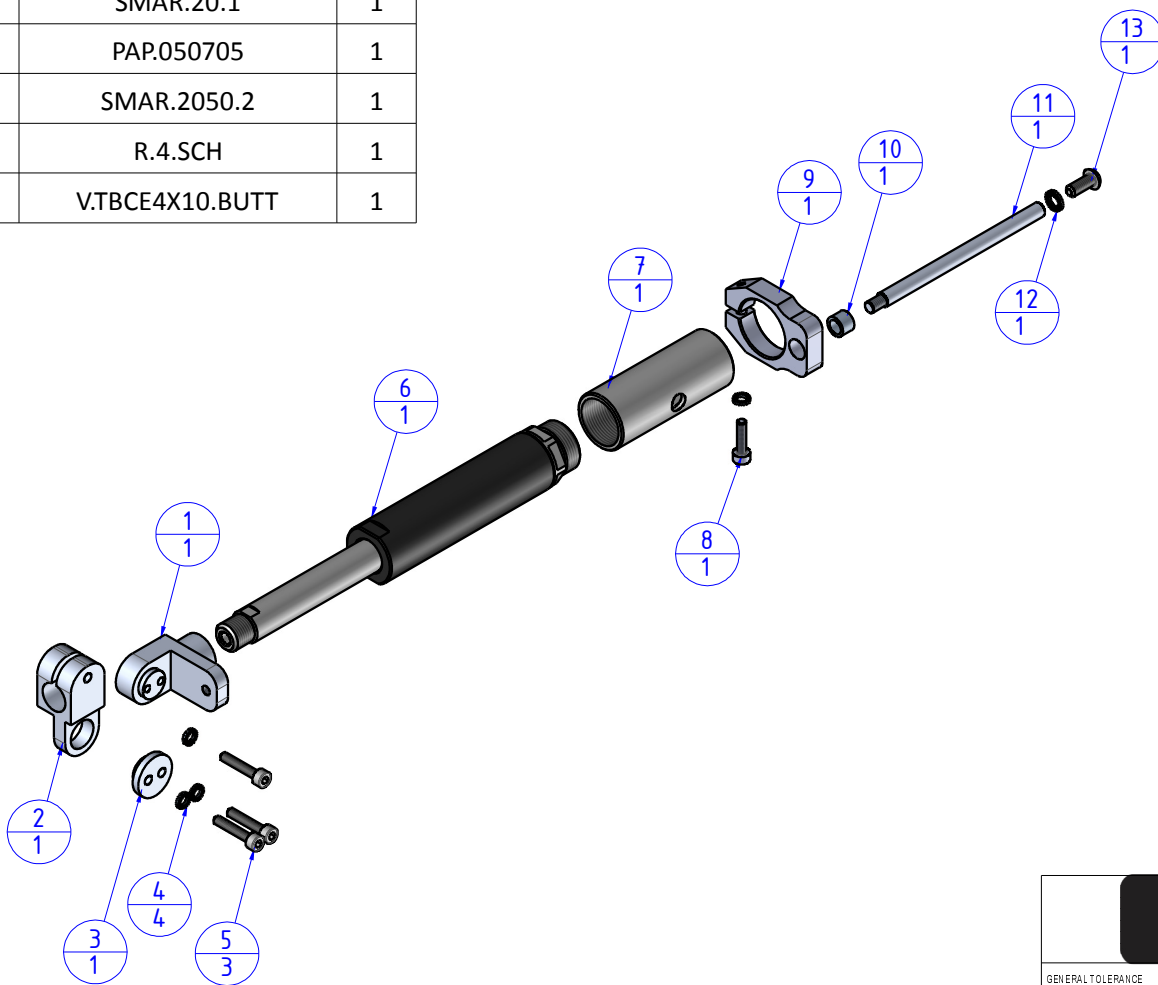
THE PROPERTY OF THE DRAWING IS ESTABLISHED BY LAW  
IT IS FORBIDDEN TO PRODUCE OR SHOW IT TO THIRD PART  
WITHOUT A WRITTEN AGREEMENT.

MODIFICATIONS	10	11	12
VARIED DIMENSIONS AS OF DATE:			

MODIFICATIONS	4	5	6
VARIED DIMENSIONS AS OF DATE:			

Format A3  
UNI 936-76

Item	Name	Q.ty
1	SMAR.20.2	1
2	GVR.10.2	1
3	GVR.10.3	1
4	R.3.SCH	4
5	VTCE3x16	3
6	CA.SAR.2050	1
7	VLR.20.50	1
8	VTCE3x12	1
9	SMAR.20.1	1
10	PAP.050705	1
11	SMAR.2050.2	1
12	R.4.SCH	1
13	V.TBCE4X10.BUTT	1



<b>FP SERVICES</b> AUTOMATION		DESIGNED FROM <b>FP SERVICES</b>		REVIEW A / 2
GENERAL TOLERANCE UNI - ISO 2768 CLASSE f		DATE 31/01/2018		WEIGHT 0,107kg
		CODE <b>CA.SMAR.2050</b>		