

THE PROPERTY OF THE DRAWING IS ESTABLISHED BY LAW
IT IS FORBIDDEN TO PRODUCE OR SHOW IT TO THIRD PARTY
WITHOUT A WRITTEN AGREEMENT.

MODIFICATIONS

7	10
8	11
9	12

VARIED DIMENSIONS AS OF DATE

MODIFICATIONS

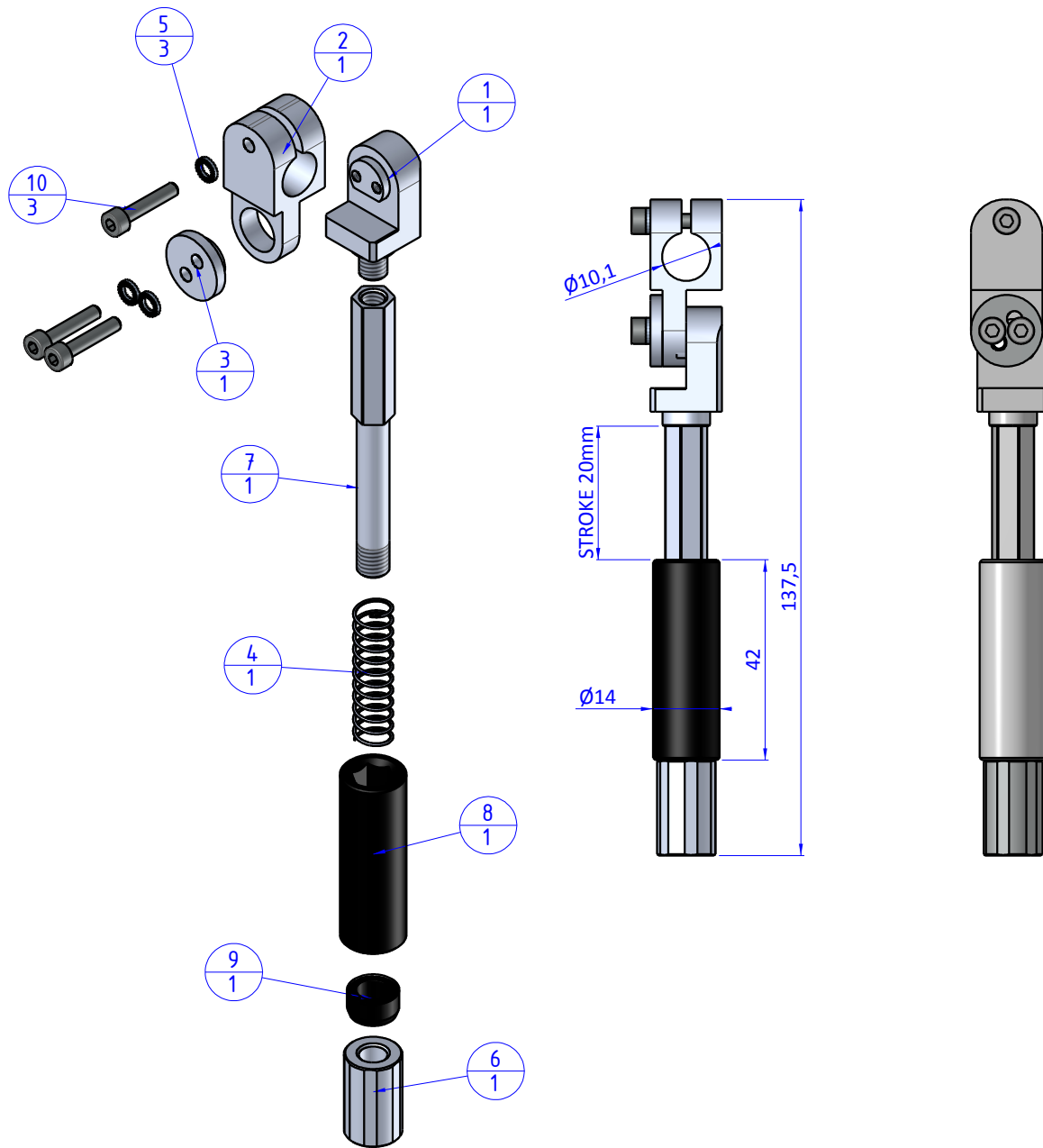
1	4
2	5
3	6

VARIED DIMENSIONS AS OF DATE

Format A3

UNI 936-76

Object Number	Name	QTY
1	GRZ.142010.1	1
2	GVR.10.2	1
3	GVR.10.3	1
4	M.8.45X34	1
5	R.3.SCH	3
6	VSN.14.1	1
7	VSN.1420.4	1
8	VSN.1420.2.1	1
9	VSN.1420.3	1
10	V.TCE3x16	3



FP SERVICES AUTOMATION		DESIGNED FROM FP SERVICES	
GENERAL TOLERANCE UNI - ISO 2768 CLASSE f		DATE 12/08/2016	WEIGHT 0,044kg
		CODE CA.SMN.142010	