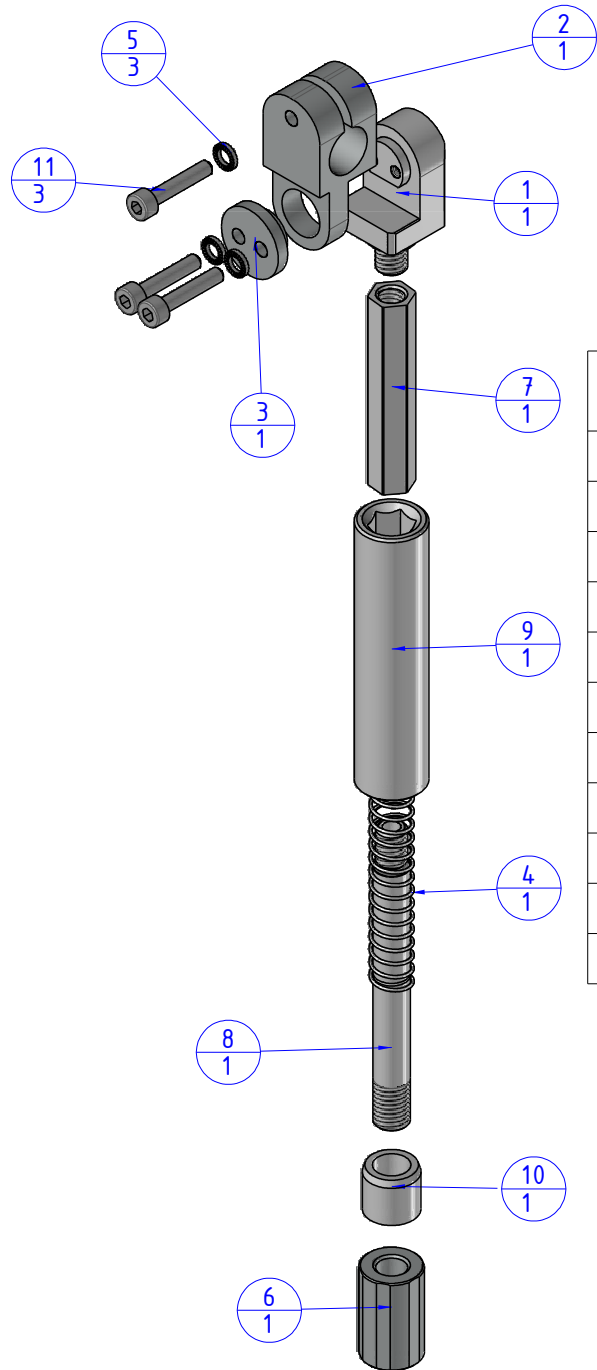


THE PROPERTY OF THE DRAWING IS ESTABLISHED BY LAW  
IT IS FORBIDDEN TO PRODUCE OR SHOW IT TO THIRD PARTY  
WITHOUT A WRITTEN AGREEMENT.

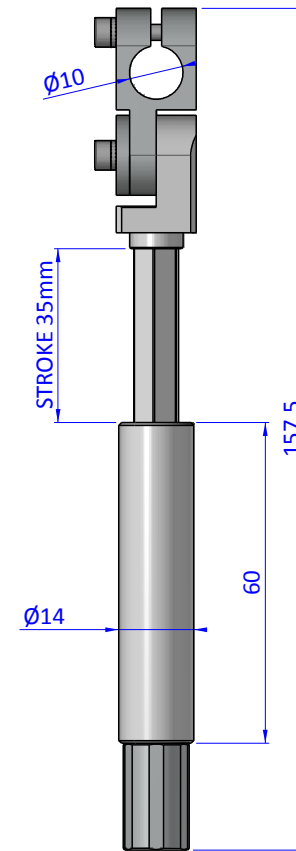
MODIFICATIONS			VARIED DIMENSIONS AS OF DATE		
7	8	9	10	11	12

MODIFICATIONS			VARIED DIMENSIONS AS OF DATE		
1	2	3	4	5	6

Format A3  
UNI 936-76



Object Number	Name	QTY
1	GRZ.142010.1	1
2	GVR.10.2	1
3	GVR.10.3	1
4	M.8.5X48.50	1
5	R.3.SCH	3
6	VSN.14.1	1
7	VSN.1435.1.1	1
8	VSN.1435.1.2	1
9	VSN.1435.2.1	1
10	VSN.1435.3	1
11	V-tcei M 3 x 16	3



		DESIGNED FROM	
		FP SERVICES	
GENERAL TOLERANCE		DATE	WEIGHT
UNI - ISO 2768		12/08/2016	0,051kg
CLASSE f		CODE	
		CA.SMN.143510	