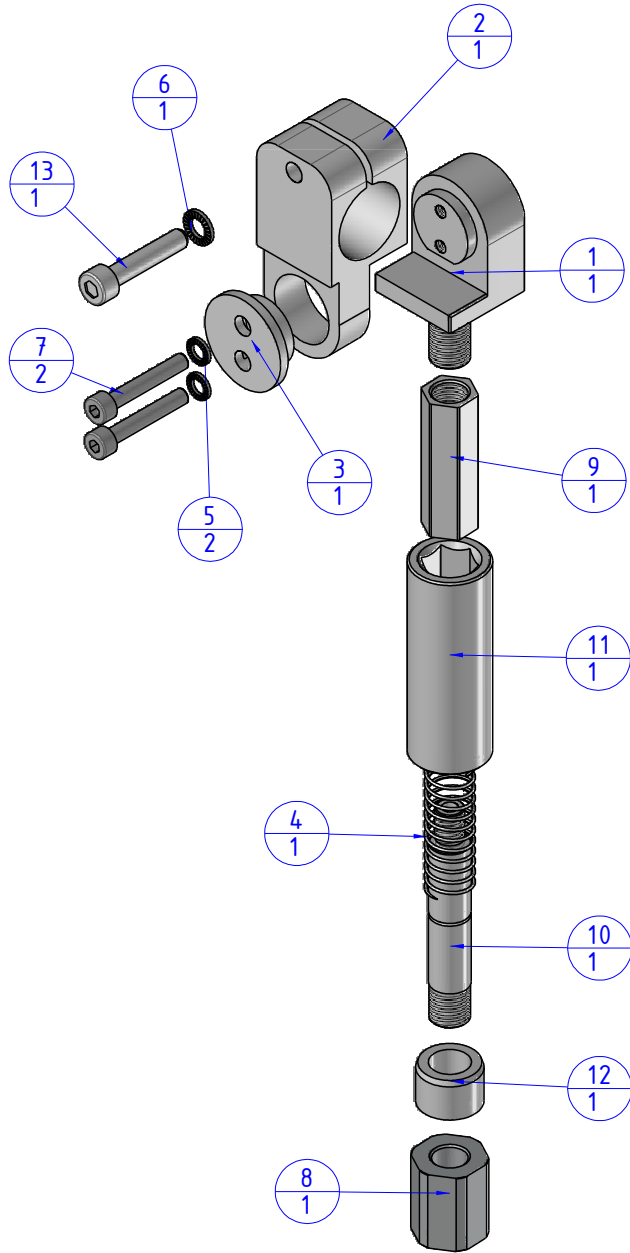


THE PROPERTY OF THE DRAWING IS ESTABLISHED BY LAW
IT IS FORBIDDEN TO PRODUCE OR SHOW IT TO THIRD PARTY
WITHOUT A WRITTEN AGREEMENT.

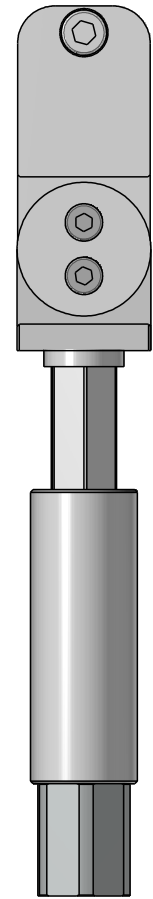
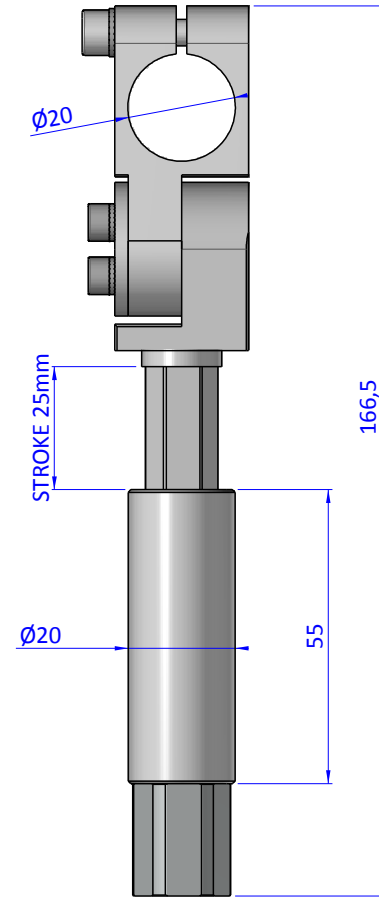
MODIFICATIONS	VARIED DIMENSIONS AS OF DATE		
7	10	11	12
8			
9			

MODIFICATIONS	VARIED DIMENSIONS AS OF DATE		
1	4	5	6
2			
3			

Format A3
UNI 936-76



Object Number	Name	QTY
1	GRZ.202520.1	1
2	GVR.20.2	1
3	GVR.20.3	1
4	M.12X39.50	1
5	R.4.SCH	2
6	R.5.SCH	1
7	VTCEI.M4X25	2
8	VSN.20.1	1
9	VSN.2025.1.1	1
10	VSN.2025.1.2	1
11	VSN.2025.2.1	1
12	VSN.2025.3	1
13	V-tcei M 5 x 25	1



		DESIGNED FROM FPSERVICES	
		DATE 12/08/2016	WEIGHT 0,097kg
GENERAL TOLERANCE UNI - ISO 2768 CLASSE f	DESCRIPTION	CODE CA.SMN.202520	