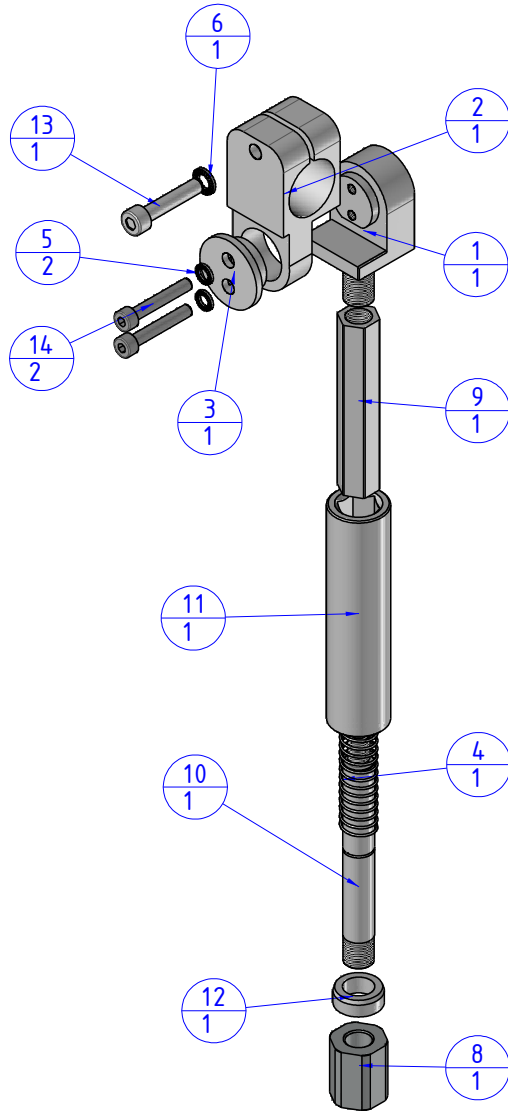


THE PROPERTY OF THE DRAWING IS ESTABLISHED BY LAW
IT IS FORBIDDEN TO PRODUCE OR SHOW IT TO THIRD PARTY
WITHOUT A WRITTEN AGREEMENT.

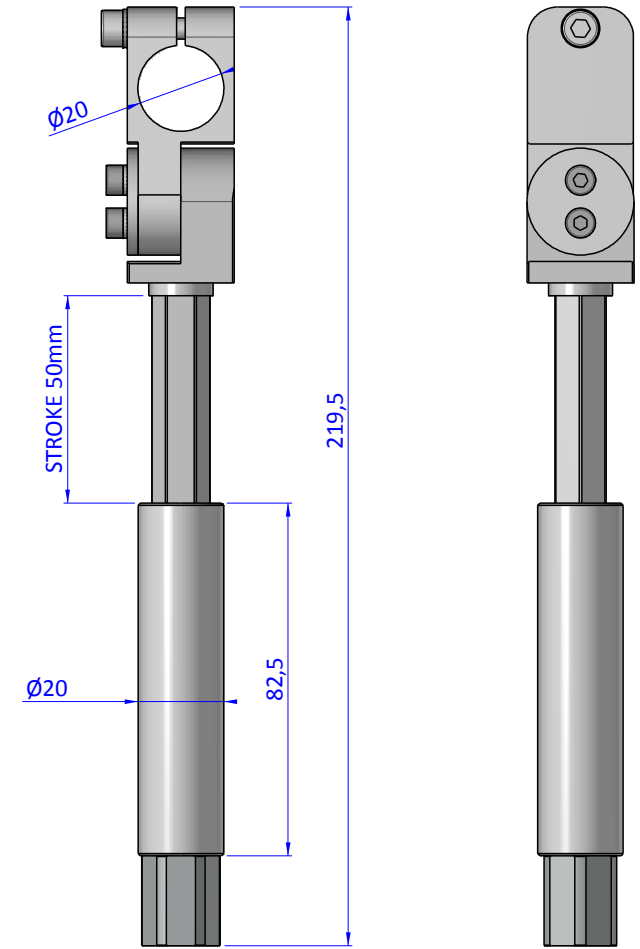
MODIFICATIONS			VARIED DIMENSIONS AS OF DATE		
7	8	9	10	11	12

MODIFICATIONS			VARIED DIMENSIONS AS OF DATE		
1	2	3	4	5	6

Format A3
UNI 936-76



Object Number	Name	QTY
14	V.TCEI.M4X25	2
1	GRZ.202520.1	1
2	GVR.20.2	1
3	GVR.20.3	1
4	M.12X81.5	1
5	R.4.SCH	2
6	R.5.SCH	1
8	VSN.20.1	1
9	VSN.2050.1.1	1
10	VSN.2050.1.2	1
11	VSN.2050.2.1	1
12	VSN.2050.3	1
13	V-tcei M 5 x 25	1



		DESIGNED FROM	
		FP SERVICES	
GENERAL TOLERANCE		DATE	WEIGHT
UNI - ISO 2768		12/08/2016	0,103kg
CLASSE f		CODE	
		CA.SMN.205020	