

THE PROPERTY OF THE DRAWING IS ESTABLISHED BY LAW
IT IS FORBIDDEN TO PRODUCE OR SHOW IT TO THIRD PARTY
WITHOUT A WRITTEN AGREEMENT.

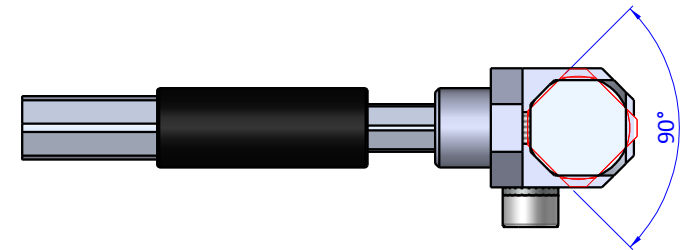
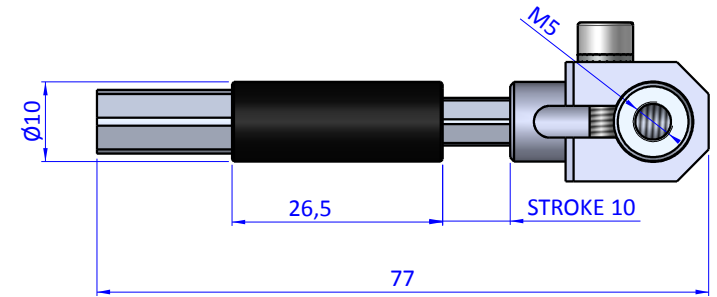
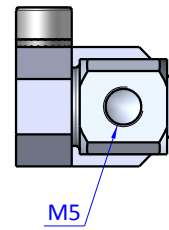
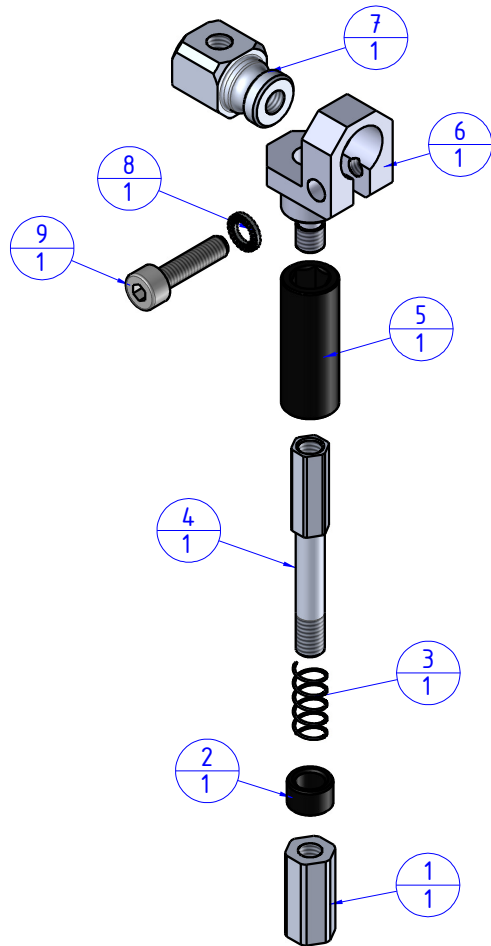
Item	Name	Qty.
1	VSN.10.1	1
2	VSN.1010.3	1
3	M.5.9X20	1
4	VSN.1010.4	1
5	VSN.1010.2.1	1
6	SSN.10100505.1	1
7	GGB.10.5.5	1
8	R.4.SCH	1
9	V.TCE4x16	1

MODIFICATIONS	VARIED DIMENSIONS AS OF DATE:
7	10
8	11
9	12

MODIFICATIONS	VARIED DIMENSIONS AS OF DATE:
1	4
2	5
3	6

Format A3

UNI 936-76



FP SERVICES AUTOMATION		DESIGNED FROM FPSERVICES	
GENERAL TOLERANCE UNI - ISO 2768 CLASSE f		DATE 22/11/2017	WEIGHT 0,019kg
DESCRIPTION		CODE CA.SSN.10100505	