

THE PROPERTY OF THE DRAWING IS ESTABLISHED BY LAW
IT IS FORBIDDEN TO PRODUCE OR SHOW IT TO THIRD PART
WITHOUT A WRITTEN AGREEMENT.

MODIFICAZIONI

7	8	9
10	11	12

VARIED DIMENSIONI AS OF DATE

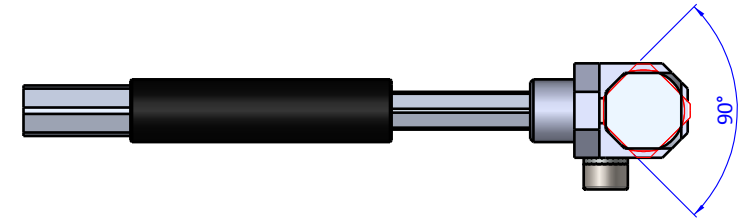
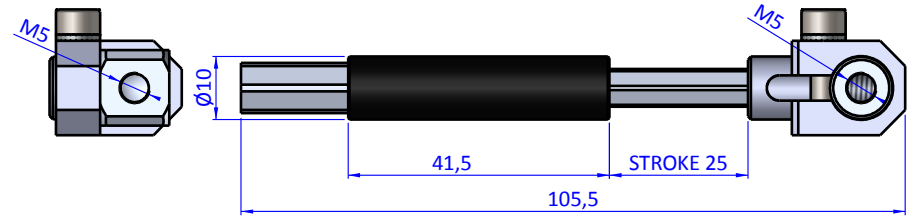
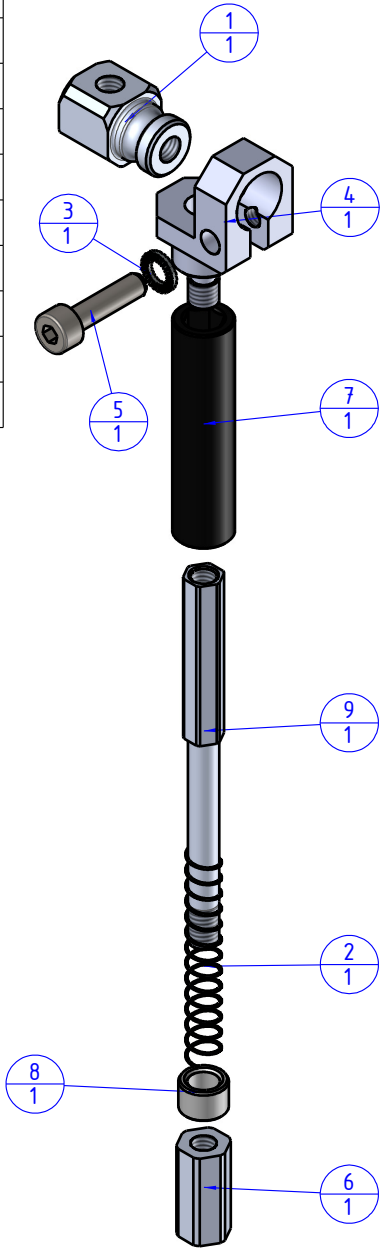
MODIFICAZIONI

1	2	3
4	5	6

VARIED DIMENSIONI AS OF DATE

Format A3
UNI 936-76

Item	Name	Qty.
1	GGB.10.5.5	1
2	M.5.8X38.50	1
3	R.4.SCH	1
4	SSN.10100505.1	1
5	V.TCE4x16	1
6	VSN.10.1	1
7	VSN.1025.2.1	1
8	VSN.1025.3	1
9	VSN.1025.4	1



		DESIGNED FROM	
		FPSERVICES	
GENERAL TOLERANCE		DATE	WEIGHT
UNI - ISO 2768		20/07/2017	0,020kg
CLASSE I		CODE	
		CA.SSN.10250505	