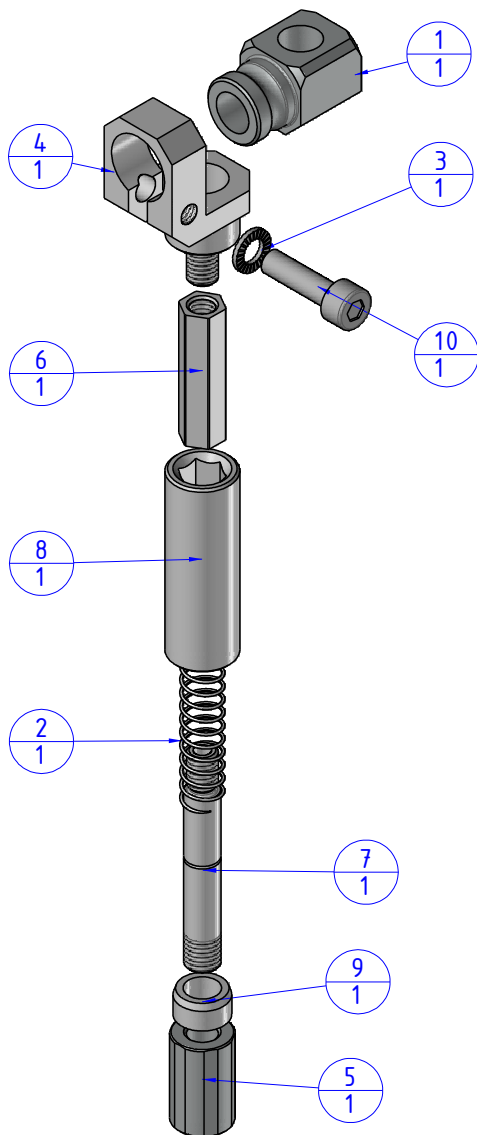
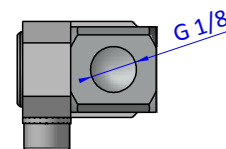
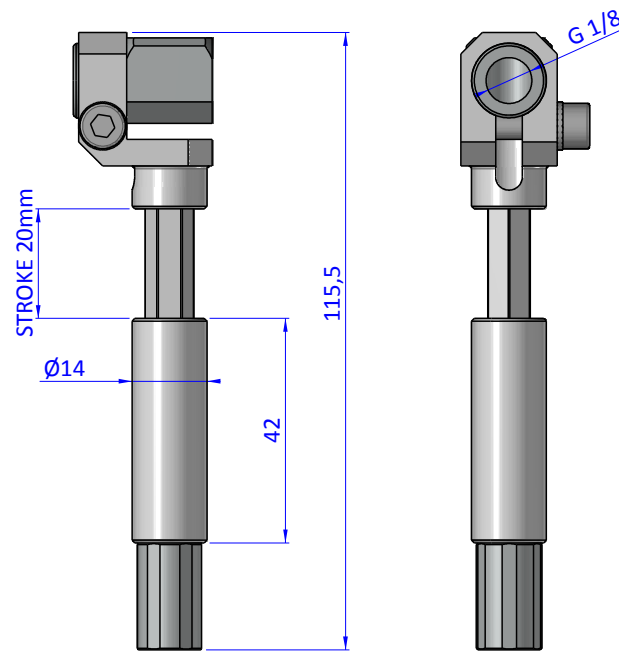


THE PROPERTY OF THE DRAWING IS ESTABLISHED BY LAW
IT IS FORBIDDEN TO PRODUCE OR SHOW IT TO THIRD PARTY
WITHOUT A WRITTEN AGREEMENT.



Object Number	Name	QTY
1	GGB.14.18.18	1
2	M.8.45X34	1
3	R.5.SCH	1
4	SSN.14201818.1	1
5	VSN.14.1	1
6	VSN.1420.1.1	1
7	VSN.1420.1.2	1
8	VSN.1420.2.1	1
9	VSN.1420.3	1
10	V-tcei M 5 x 18	1



MODIFICATIONS AS OF DATE:

10	11	12
7	8	9

MODIFICATIONS AS OF DATE:

4	5	6
1	2	3

Format A3

UNI 936-76

		DESIGNED FROM	
		FP SERVICES	
GENERAL TOLERANCE		DATE	WEIGHT
UNI - ISO 2768		03/08/2016	0,046kg
CLASSE f		CODE	
		CA.SSN.14201818	