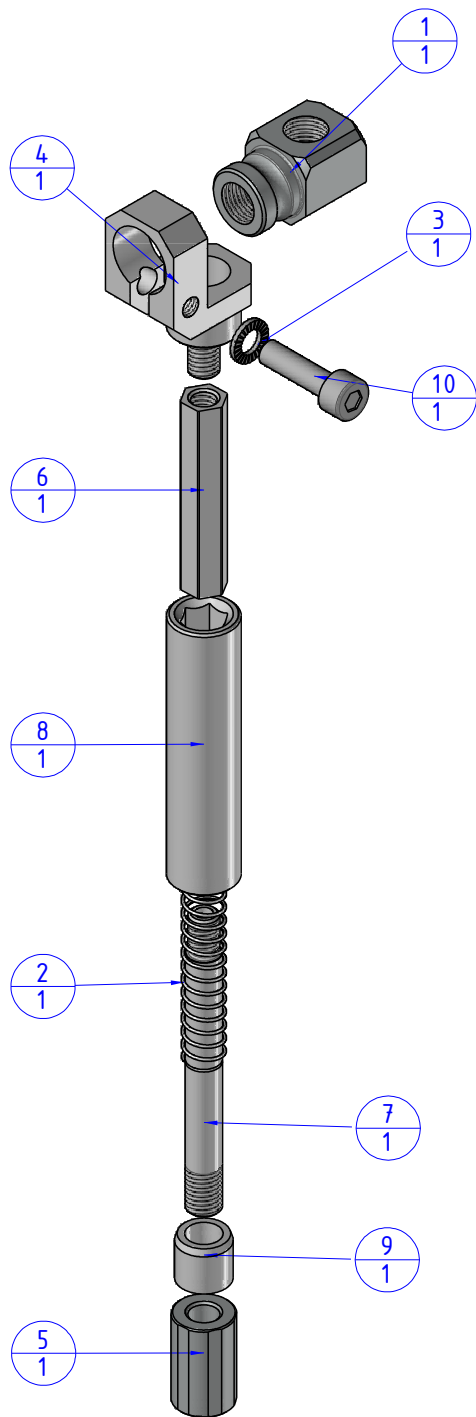


THE PROPERTY OF THE DRAWING IS ESTABLISHED BY LAW
IT IS FORBIDDEN TO PRODUCE OR SHOW IT TO THIRD PARTY
WITHOUT A WRITTEN AGREEMENT.

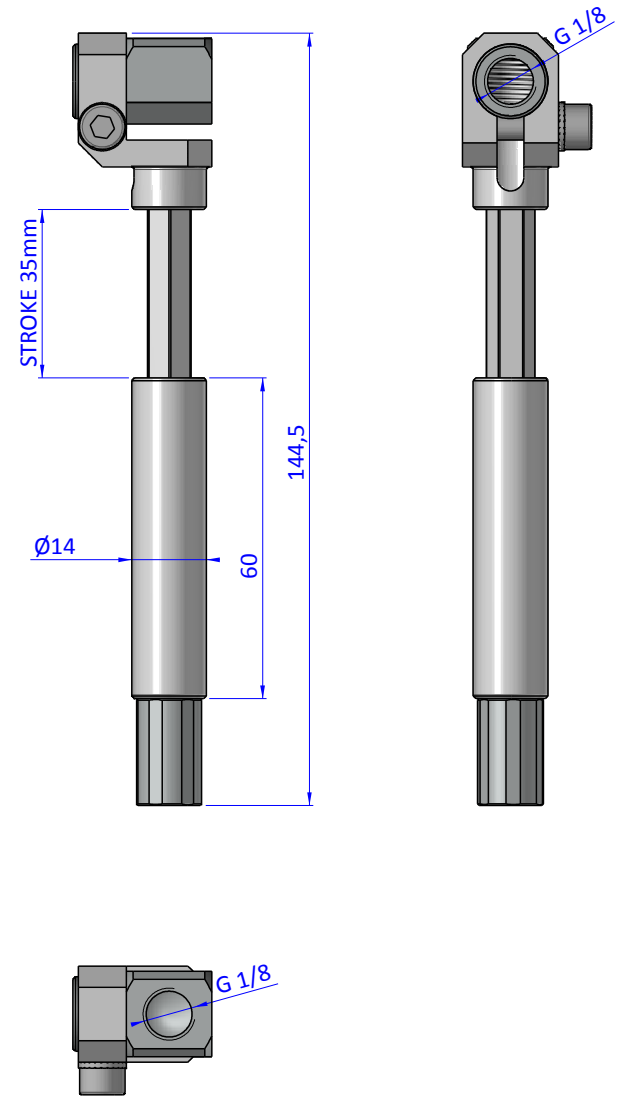
MODIFICATIONS	VARIED DIMENSIONS AS OF DATE		
7	10	11	12
8			
9			

MODIFICATIONS	VARIED DIMENSIONS AS OF DATE		
1	4	5	6
2			
3			

Format A3
UNI 936-76



Object Number	Name	QTY
1	GGB.14.18.18	1
2	M.8.5X48.50	1
3	R.5.SCH	1
4	SSN.14201818.1	1
5	VSN.14.1	1
6	VSN.1435.1.1	1
7	VSN.1435.1.2	1
8	VSN.1435.2.1	1
9	VSN.1435.3	1
10	V-tcei M 5 x 18	1



FP SERVICES AUTOMATION		DESIGNED FROM FP SERVICES	
GENERAL TOLERANCE UNI - ISO 2768 CLASSE f	DESCRIPTION	DATE 11/08/2016	WEIGHT 0,053kg
		CODE CA.SSN.14351818	