

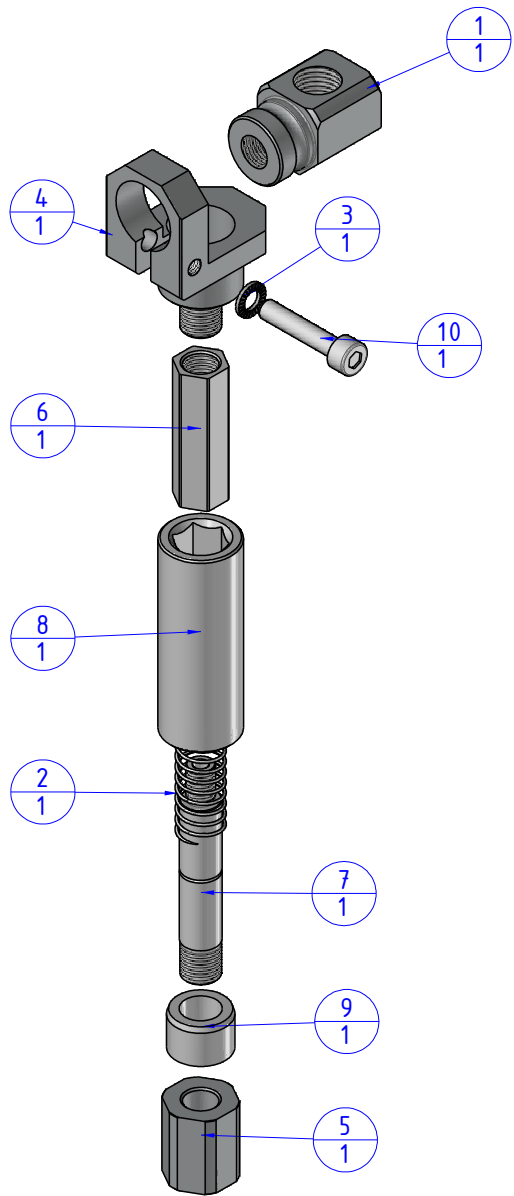
THE PROPERTY OF THE DRAWING IS ESTABLISHED BY LAW  
IT IS FORBIDDEN TO PRODUCE OR SHOW IT TO THIRD PARTY  
WITHOUT A WRITTEN AGREEMENT.

MODIFICATIONS	VARIED DIMENSIONS AS OF DATE		
1	10	11	12
2			
3			
4			
5			
6			
7			
8			
9			

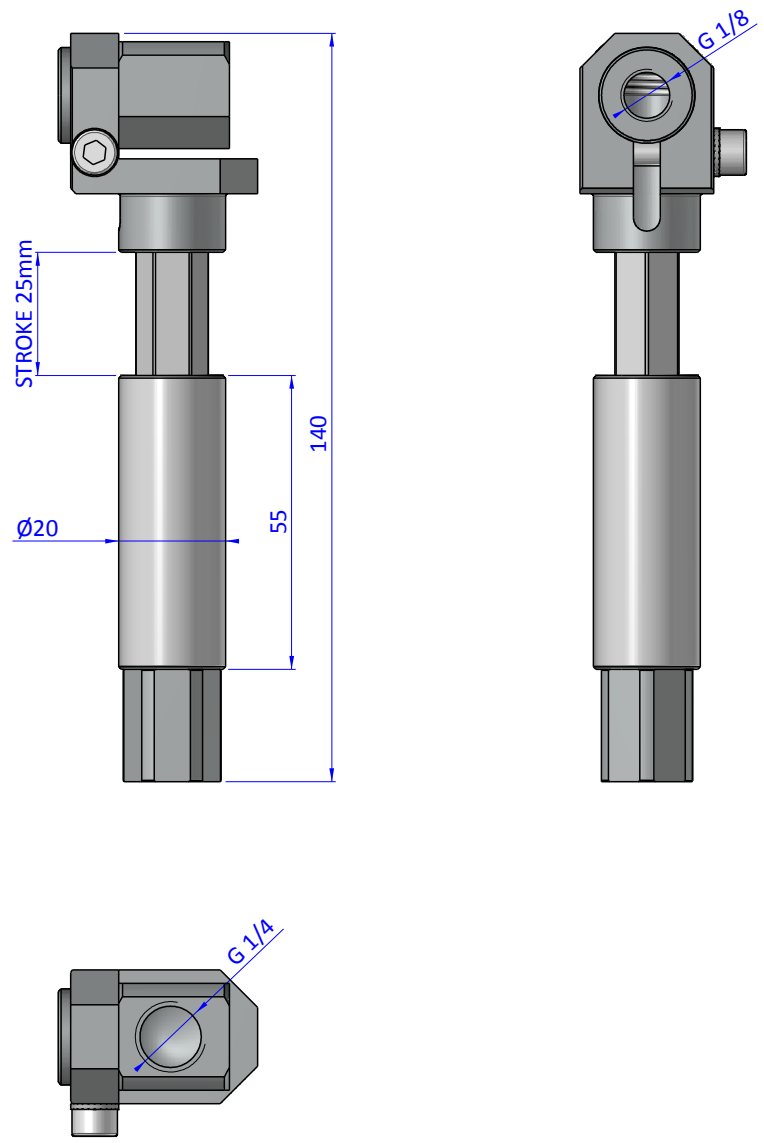
MODIFICATIONS	VARIED DIMENSIONS AS OF DATE		
1	4	5	6
2			
3			
4			
5			
6			
7			
8			
9			

Format A3

UNI 936-76



Object Number	Name	QTY
1	GGB.20.14.18	1
2	M.12X39.50	1
3	R.5.SCH	1
4	SSN.20251418.1	1
5	VSN.20.1	1
6	VSN.2025.1.1	1
7	VSN.2025.1.2	1
8	VSN.2025.2.1	1
9	VSN.2025.3	1
10	V-tcei M 5 x 25	1



		DESIGNED FROM	
		FPSERVICES	
GENERAL TOLERANCE UNI - ISO 2768 CLASSE f	DESCRIPTION	DATE	WEIGHT
		11/08/2016	0,099kg
		CODE	CA.SSN.20251418