

THE PROPERTY OF THE DRAWING IS ESTABLISHED BY LAW
IT IS FORBIDDEN TO PRODUCE OR SHOW IT TO THIRD PARTY
WITHOUT A WRITTEN AGREEMENT.

MODIFICATIONS VARIED DIMENSIONS AS OF DATE:

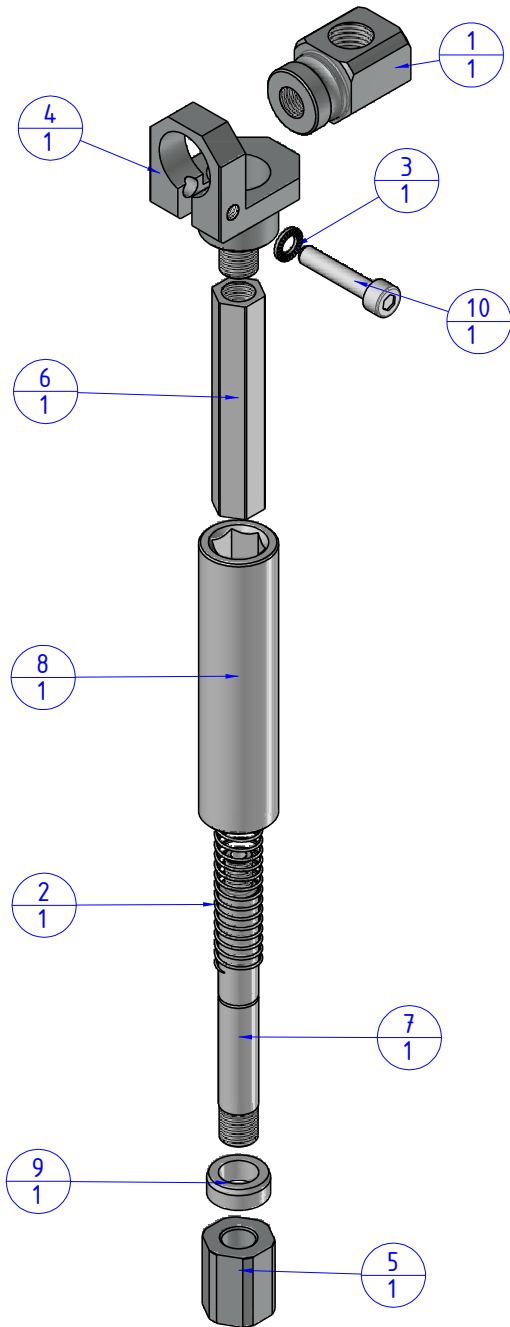
7	8	9
10	11	12

MODIFICATIONS VARIED DIMENSIONS AS OF DATE:

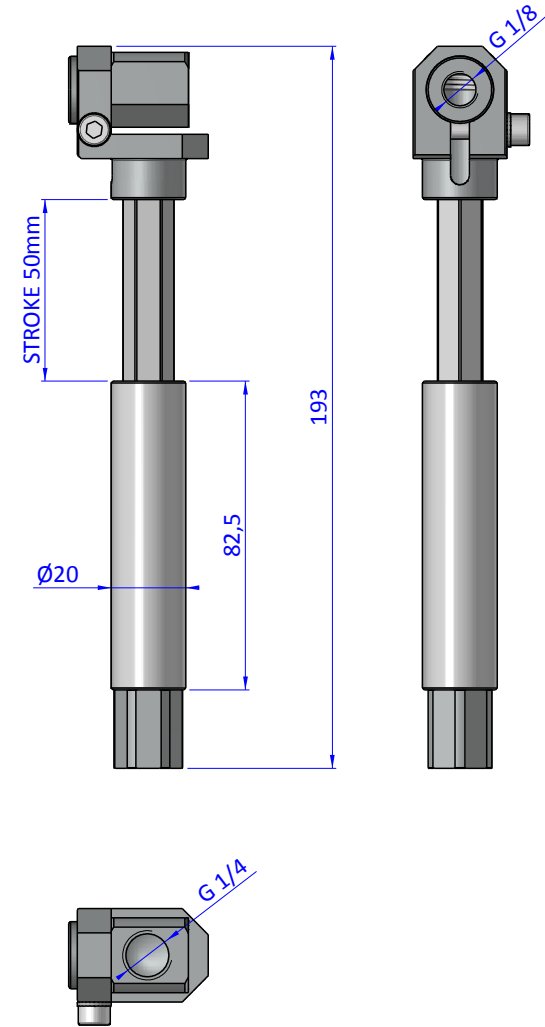
1	2	3
4	5	6

Format A3

UNI 936-76



Object Number	Name	QTY
1	GGB.20.14.18	1
2	M.12X81.5	1
3	R.5.SCH	1
4	SSN.20251418.1	1
5	VSN.20.1	1
6	VSN.2050.1.1	1
7	VSN.2050.1.2	1
8	VSN.2050.2.1	1
9	VSN.2050.3	1
10	V-tcei M 5 x 25	1



		DESIGNED FROM	
		FP SERVICES	
GENERAL TOLERANCE		DATE	WEIGHT
UNI - ISO 2768		11/08/2016	0,105kg
CLASSE f		CODE	
		CA.SSN.20501418	