

THE PROPERTY OF THE DRAWING IS ESTABLISHED BY LAW  
IT IS FORBIDDEN TO PRODUCE OR SHOW IT TO THIRD PARTY  
WITHOUT A WRITTEN AGREEMENT.

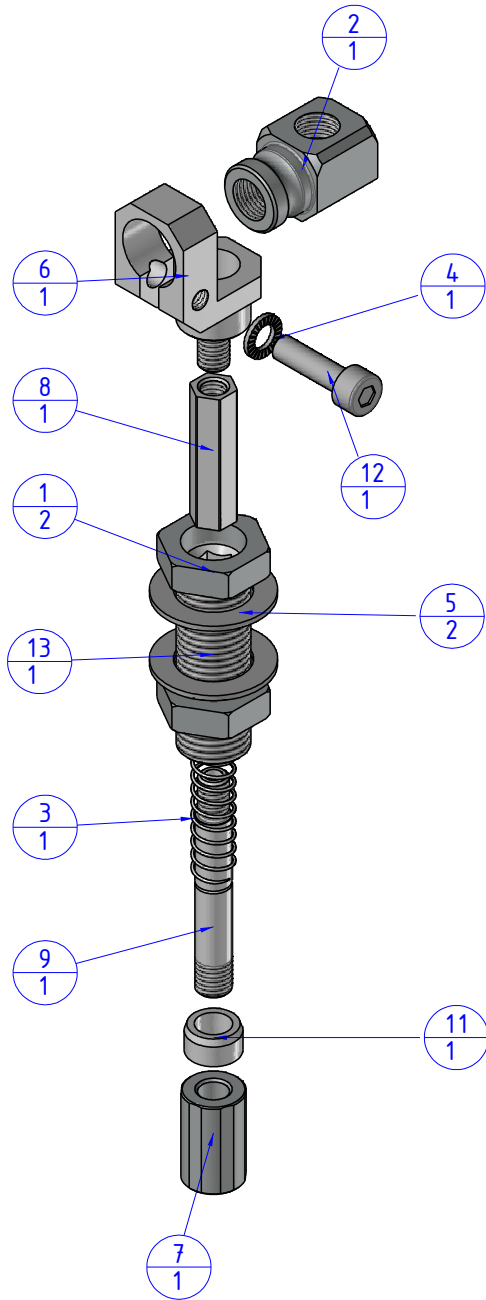
MODIFICATIONS AS OF DATE

10	11	12
7	8	9

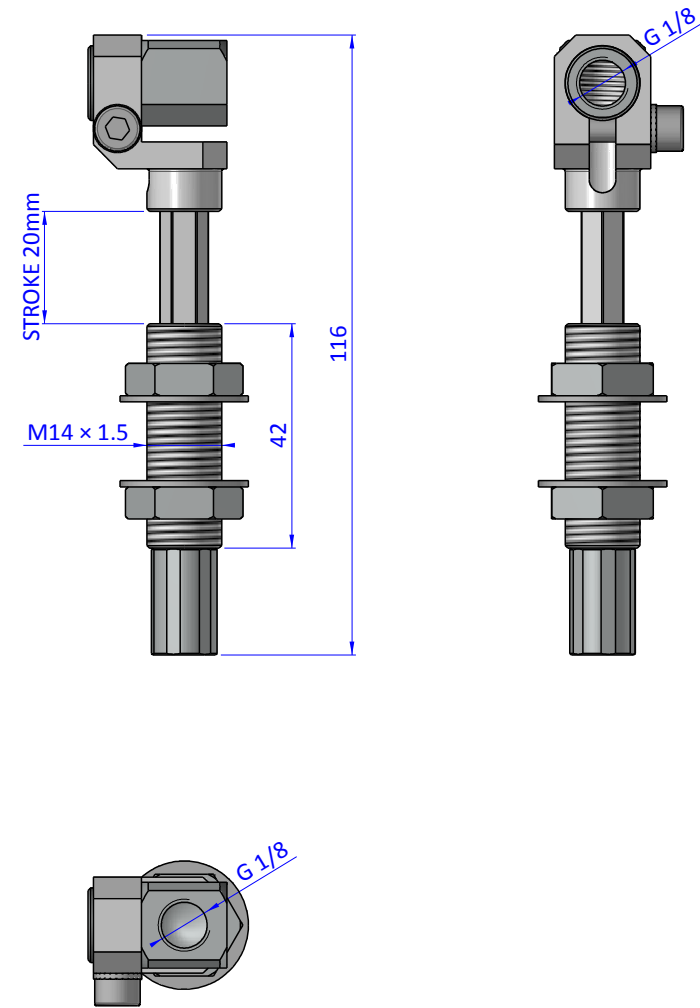
MODIFICATIONS AS OF DATE

4	5	6
1	2	3

Format A3  
UNI 936-76



Object Number	Name	QTY
13	VSNG.1420.2.1	1
1	05.01.001.06	2
2	GGB.14.18.18	1
3	M.8.45X34	1
4	R.5.SCH	1
5	R.14.SCH	2
6	SSN.14201818.1	1
7	VSN.14.1	1
8	VSN.1420.1.1	1
9	VSN.1420.1.2	1
11	VSN.1420.3	1
12	V-tcei M 5 x 18	1



		DESIGNED FROM	
		FP SERVICES	
GENERAL TOLERANCE UNI - ISO 2768 CLASSE f	DESCRIPTION	DATE	WEIGHT
		11/08/2016	0,057kg
		CODE	CA.SSNG.14201818