

THE PROPERTY OF THE DRAWING IS ESTABLISHED BY LAW  
IT IS FORBIDDEN TO PRODUCE OR SHOW IT TO THIRD PARTY  
WITHOUT A WRITTEN AGREEMENT.

MODIFICATIONS

7	8	9
10	11	12

VARIED DIMENSIONS AS OF DATE

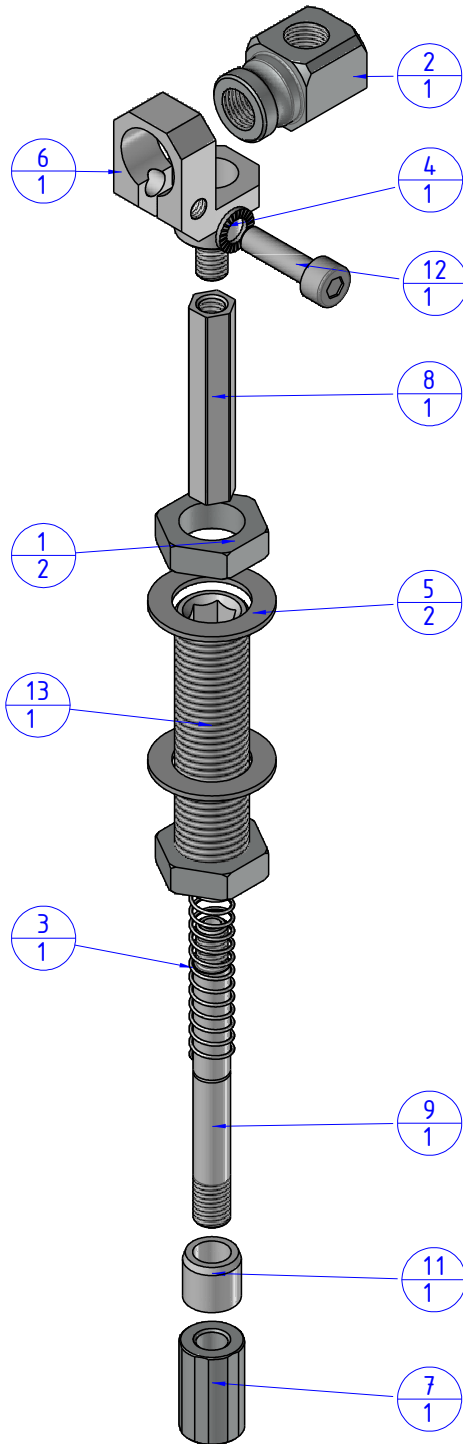
MODIFICATIONS

1	2	3
4	5	6

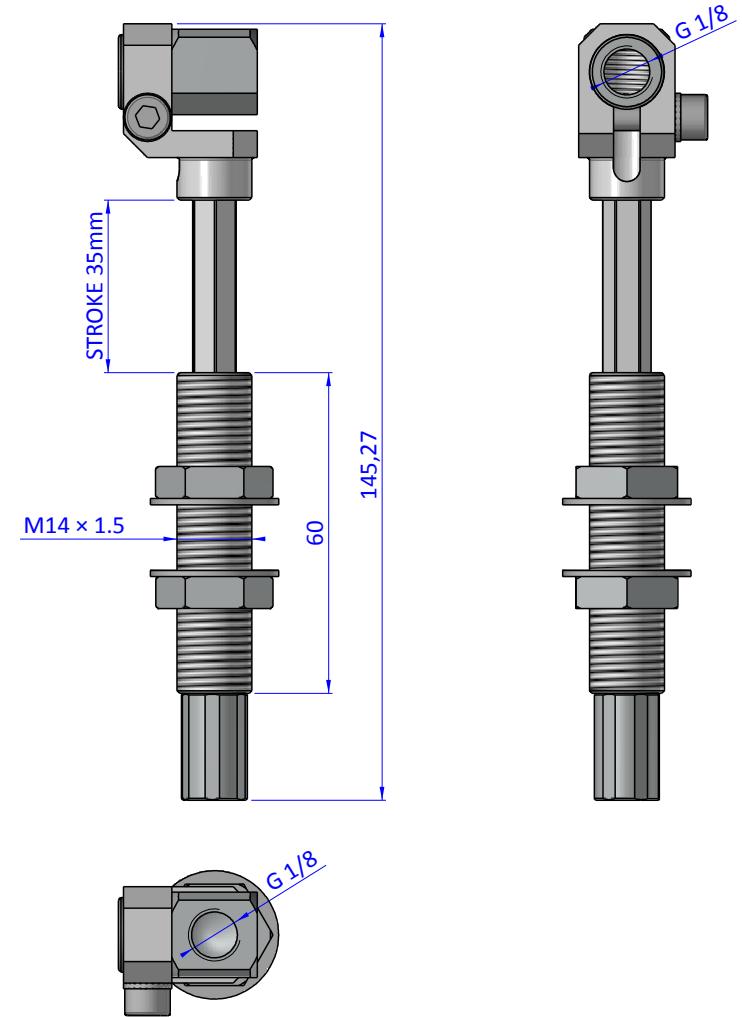
VARIED DIMENSIONS AS OF DATE

Format A3

UNI 936-76



Object Number	Name	QTY
13	VSNG.1435.2.1	1
1	05.01.001.06	2
2	GGB.14.18.18	1
3	M.8.5X48.50	1
4	R.5.SCH	1
5	R.14.SCH	2
6	SSN.14201818.1	1
7	VSN.14.1	1
8	VSN.1435.1.1	1
9	VSN.1435.1.2	1
11	VSN.1435.3	1
12	V-tcei M 5 x 18	1



<b>FP SERVICES</b> AUTOMATION		DESIGNED FROM <b>FP SERVICES</b>	
GENERAL TOLERANCE UNI - ISO 2768 CLASSE f		DATE 11/08/2016	WEIGHT 0,064kg
DESCRIPTION		CODE <b>CA.SSNG.14351818</b>	