

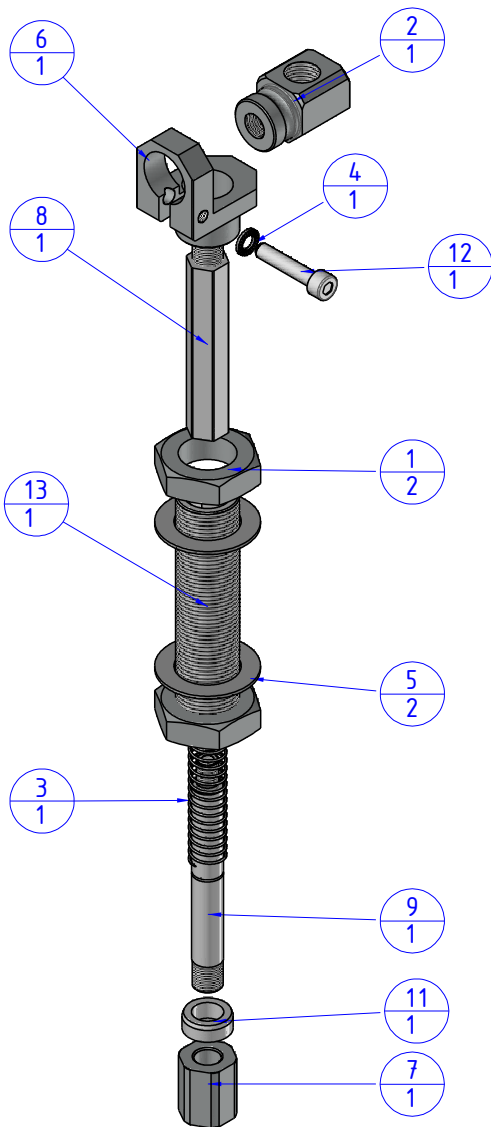
THE PROPERTY OF THE DRAWING IS ESTABLISHED BY LAW
IT IS FORBIDDEN TO PRODUCE OR SHOW IT TO THIRD PARTY
WITHOUT A WRITTEN AGREEMENT.

MODIFICATIONS		
10	11	12
7	8	9

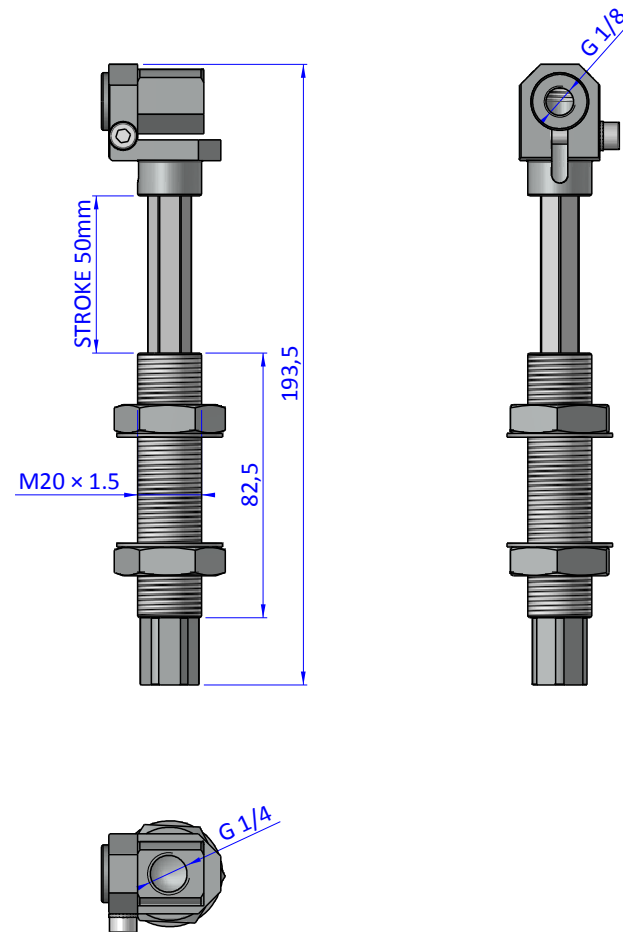
MODIFICATIONS		
4	5	6
1	2	3

Format A3

UNI 936-76



Object Number	Name	QTY
13	VSN.G.2050.2.1	1
1	05.02.001.06	2
2	GGB.20.14.18	1
3	M.12X81.5	1
4	R.5.SCH	1
5	R.20.SCH	2
6	SSN.20251418.1	1
7	VSN.20.1	1
8	VSN.2050.1.1	1
9	VSN.2050.1.2	1
11	VSN.2050.3	1
12	V-tcei M 5 x 25	1



		DESIGNED FROM	
		FP SERVICES	
GENERAL TOLERANCE		DATE	WEIGHT
UNI - ISO 2768		11/08/2016	0,139kg
CLASSE f		CODE	
		CA.SSNG.20501418	