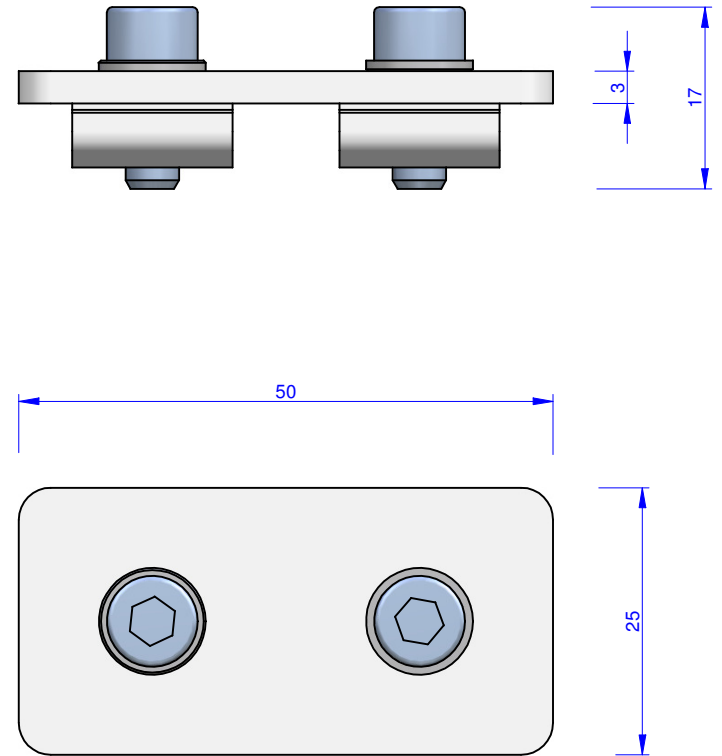
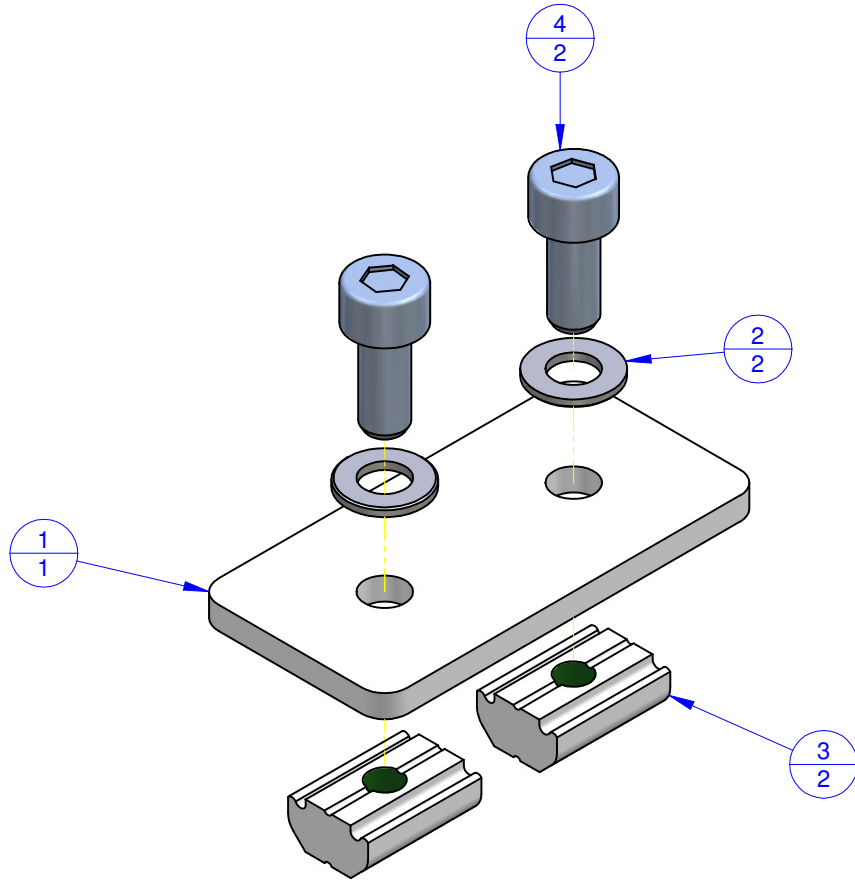


THE PROPERTY OF THIS DRAWING IS ESTABLISHED BY LAW
IT IS FORBIDDEN TO REPRODUCE IT OR SHOW IT TO THIRD PARTY
WITHOUT A WRITTEN AGREEMENT.



MODIFICATIONS: VARIED DIMENSIONS AS OF DATE:

7	10
8	11
9	12

MODIFICATIONS: VARIED DIMENSIONS AS OF DATE:

1	4
2	5
3	6

Format **A3**
UNI 936-76

Object Number	Name	QTY
1	VBG.X.25.50	1
2	R.5	2
3	CA.GWP.5U	2
4	V.TCE M5X12	2

FP Services <small>GENERAL TOLERANCE: UNI - ISO 2768 CLASSE f</small>		<small>DESIGNED FROM</small> FP SERVICES
		<small>DATE</small> 04/2014
<small>CODE</small> CA.VBG.X.25.50		

