

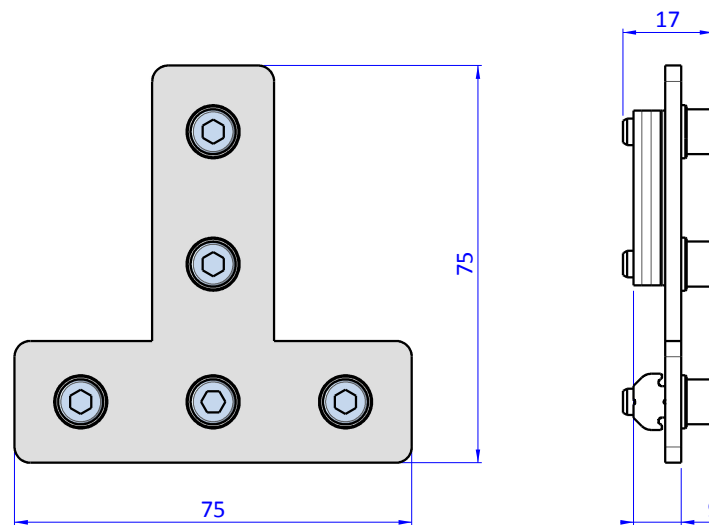
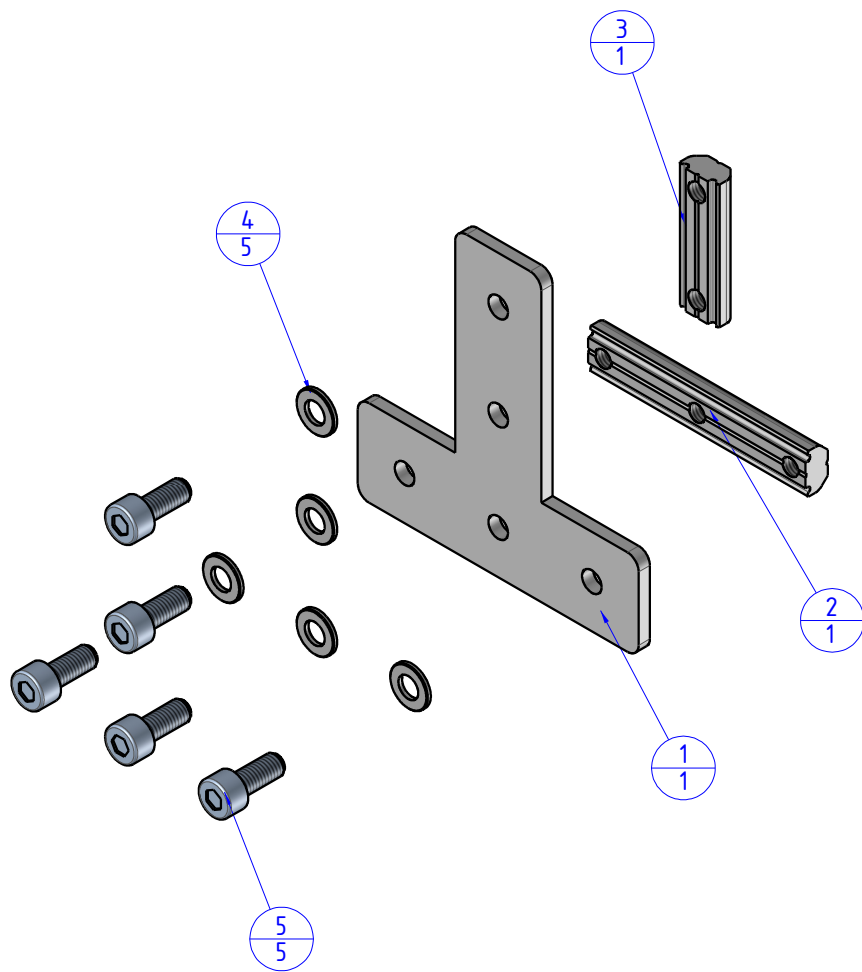
THE PROPERTY OF THE DRAWING IS ESTABLISHED BY LAW
IT IS FORBIDDEN TO PRODUCE OR SHOW IT TO THIRD PART
WITHOUT A WRITTEN AGREEMENT.

MODIFICATIONS	VARIED DIMENSIONS AS OF DATE:
7	10
8	11
9	12

MODIFICATIONS	VARIED DIMENSIONS AS OF DATE:
1	4
2	5
3	6

Format A3
UNI 936-76

Item	Name	Qty.
1	VBT.75.75	1
2	CA.GWP.5.25.3	1
3	CA.GWP.5.25	1
4	R.5	5
5	V.TCE5x12	5



FP SERVICES AUTOMATION		DESIGNED FROM FP SERVICES	
GENERAL TOLERANCE UNI - ISO 2768 CLASSE f		DESCRIPTION CA.VBT.X.50.75	REV: A / 1
		DATE 11/10/2017	WEIGHT 0,080kg
		CODE CA.VBT.X.50.75	