

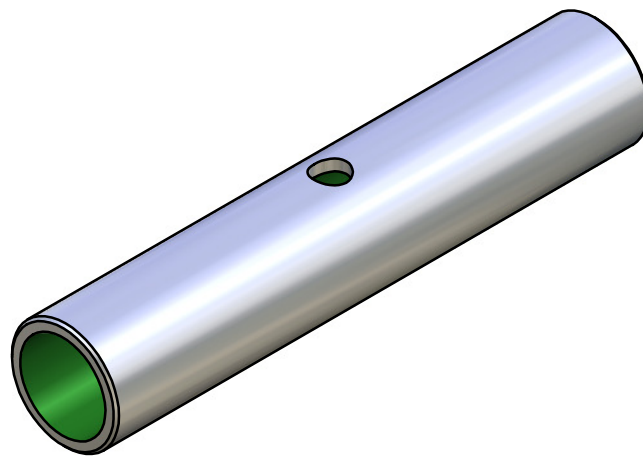
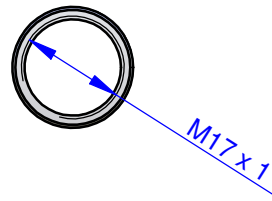
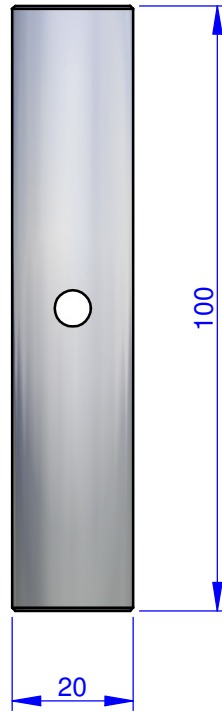
THE PROPERTY OF THIS DRAWING IS ESTABLISHED BY LAW  
IT IS FORBIDDEN TO REPRODUCE IT OR SHOW IT TO THIRD PARTY  
WITHOUT A WRITTEN AGREEMENT.

MODIFICATIONS: VARIED DIMENSIONS AS OF DATE:

|    |     |
|----|-----|
| 7. | 10. |
| 8. | 11. |
| 9. | 12. |

MODIFICATIONS: VARIED DIMENSIONS AS OF DATE:

|    |    |
|----|----|
| 1. | 4. |
| 2. | 5. |
| 3. | 6. |



**FP** Services



DESIGNED FROM  
FPSERVICES

DATE 09/2013 WEIGHT 0,031 kg

CODE **CA.VLR.20.100**

Format A4  
UNI 936-76

GENERAL TOLERANCE:  
UNI - ISO 2768  
CLASSE f

DESCRIPTION

