

THE PROPERTY OF THIS DRAWING IS ESTABLISHED BY LAW  
IT IS FORBIDDEN TO REPRODUCE IT OR SHOW IT TO THIRD PARTY  
WITHOUT A WRITTEN AGREEMENT.

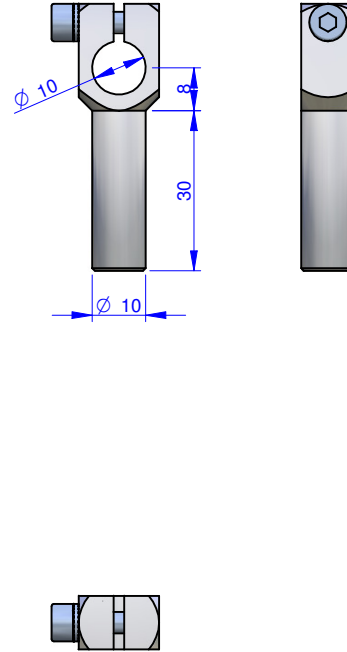
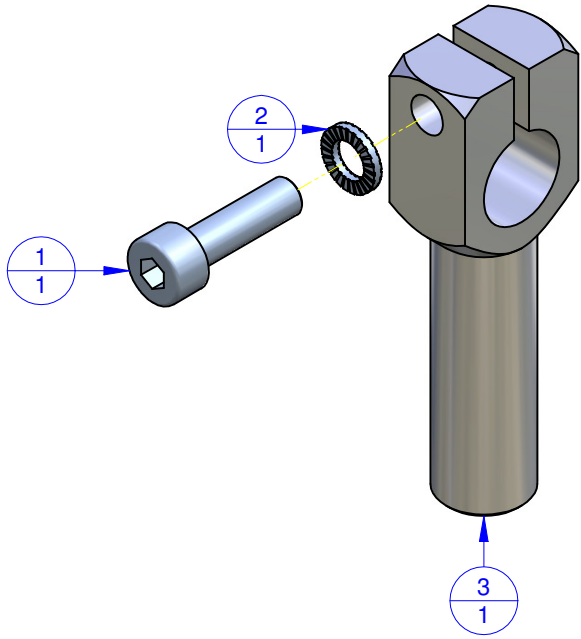
MODIFICATIONS: VARIED DIMENSIONS AS OF DATE:

7	10
8	11
9	12

MODIFICATIONS: VARIED DIMENSIONS AS OF DATE:

1	4
2	5
3	6

Format **A3**  
UNI 936-76



Object Number	Name	QTY
1	V.TCE4X14	1
2	R.4.SCH	1
3	WKA.10.10.30	1

<b>FP Services</b>		DESIGNED FROM FPSERVICES
		DATE 08/03/13
GENERAL TOLERANCE: UNI - ISO 2768 CLASSE f	DESCRIPTION	CODE <b>CA.WKA.10.10.30</b>

