

THE PROPERTY OF THIS DRAWING IS ESTABLISHED BY LAW
IT IS FORBIDDEN TO REPRODUCE IT OR SHOW IT TO THIRD PARTY
WITHOUT A WRITTEN AGREEMENT.

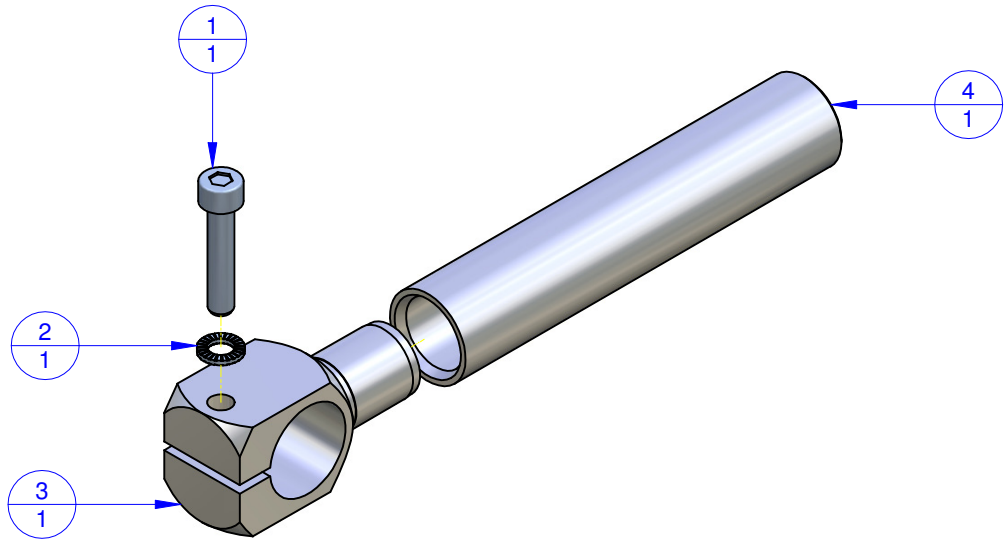
MODIFICATIONS: VARIED DIMENSIONS AS OF DATE:

7	10
8	11
9	12

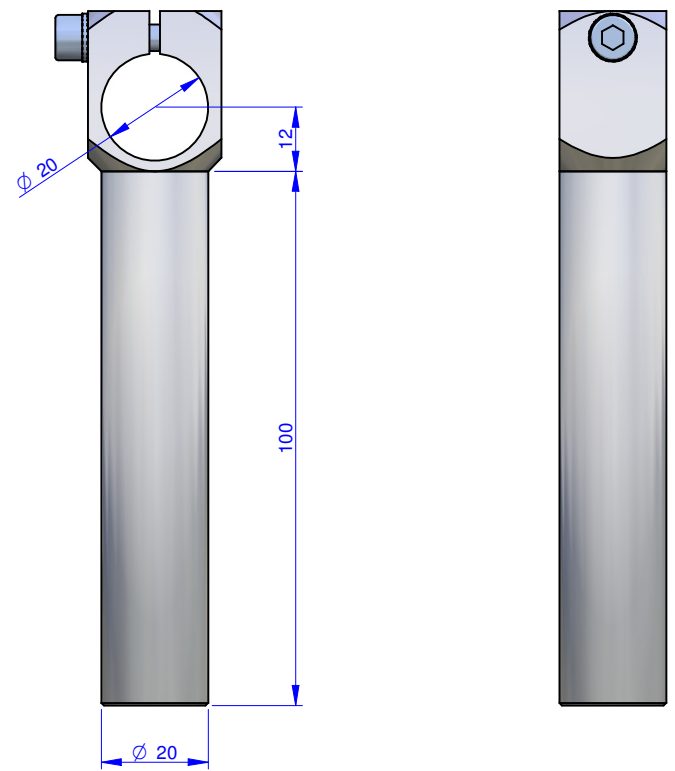
MODIFICATIONS: VARIED DIMENSIONS AS OF DATE:

1	4
2	5
3	6

Format **A3**
UNI 936-76



Object Number	Name	QTY
1	VTEE5X25	1
2	R.5.SCH	1
3	WKA.20.1	1
4	WKA.20.100	1



FP Services GENERAL TOLERANCE: UNI - ISO 2768 CLASSE f DESCRIPTION		DESIGNED FROM FPSERVICES
		DATE 12/2014 WEIGHT 0,070 kg CODE CA.WKA.20.20.100