

THE PROPERTY OF THIS DRAWING IS ESTABLISHED BY LAW  
IT IS FORBIDDEN TO REPRODUCE IT OR SHOW IT TO THIRD PARTY  
WITHOUT A WRITTEN AGREEMENT.

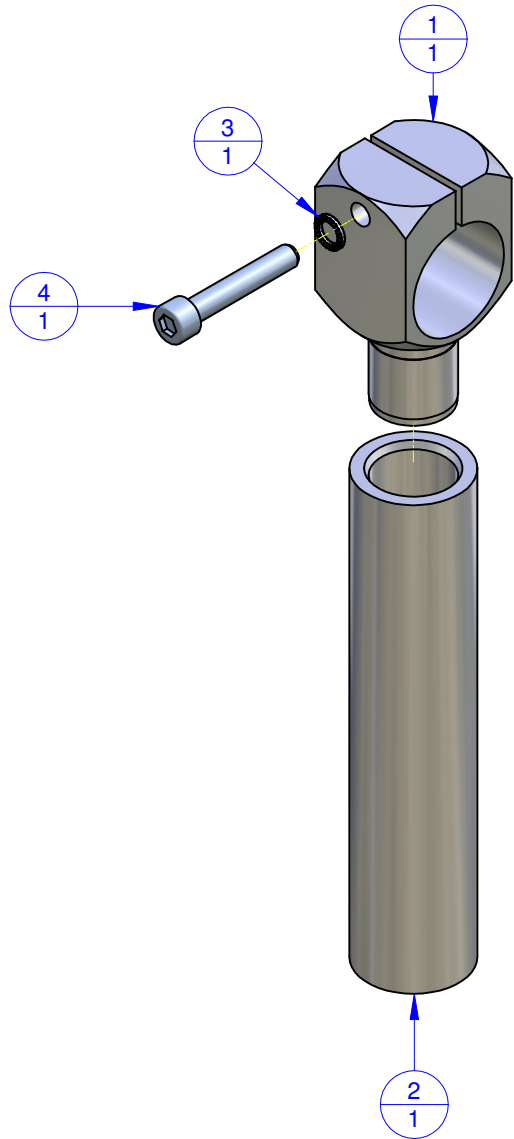
MODIFICATIONS: VARIED DIMENSIONS AS OF DATE:

7	10
8	11
9	12

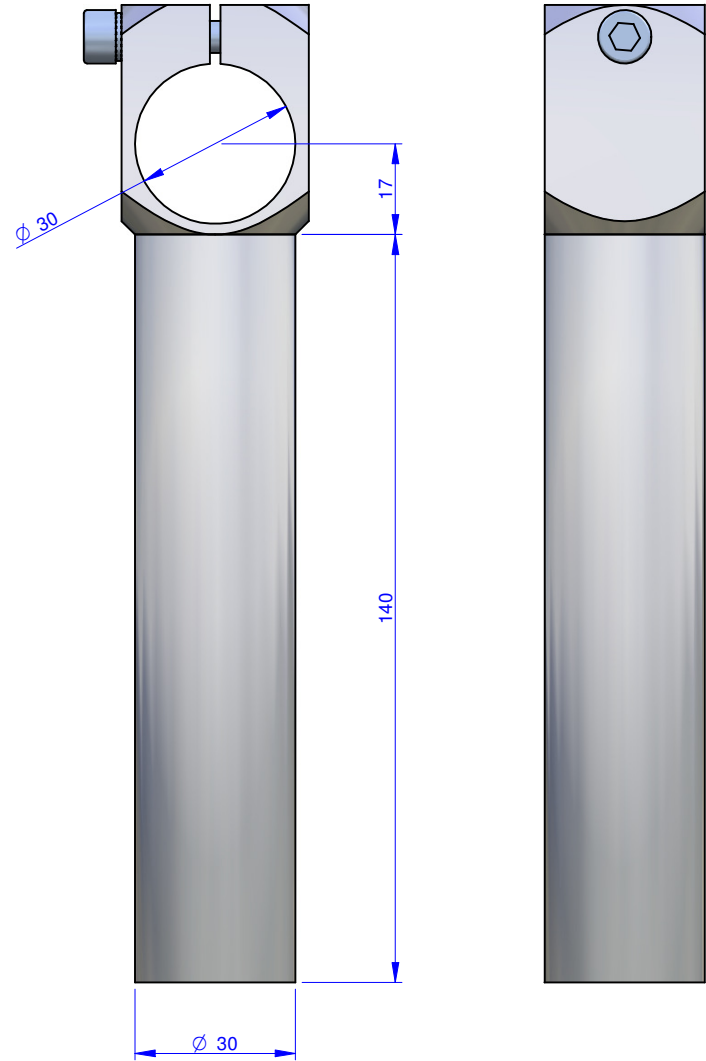
MODIFICATIONS: VARIED DIMENSIONS AS OF DATE:

1	4
2	5
3	6

Format **A3**  
UNI 936-76



Object Number	Name	QTY
1	WKA.30.1	1
2	GVR.30.140	1
3	R.6.SCH	1
4	V.TCEEI M6X35	1



<b>FP Services</b> <small>GENERAL TOLERANCE: UNI - ISO 2768 CLASSE f</small>		<small>DESIGNED FROM</small> <b>FPSERVICES</b>	
		<small>DATE</small> <b>01/2015</b>	<small>WEIGHT</small> <b>0,230 kg</b>
<small>DESCRIPTION</small>		<small>CODE</small> <b>CA.WKA.30.30.140</b>	