

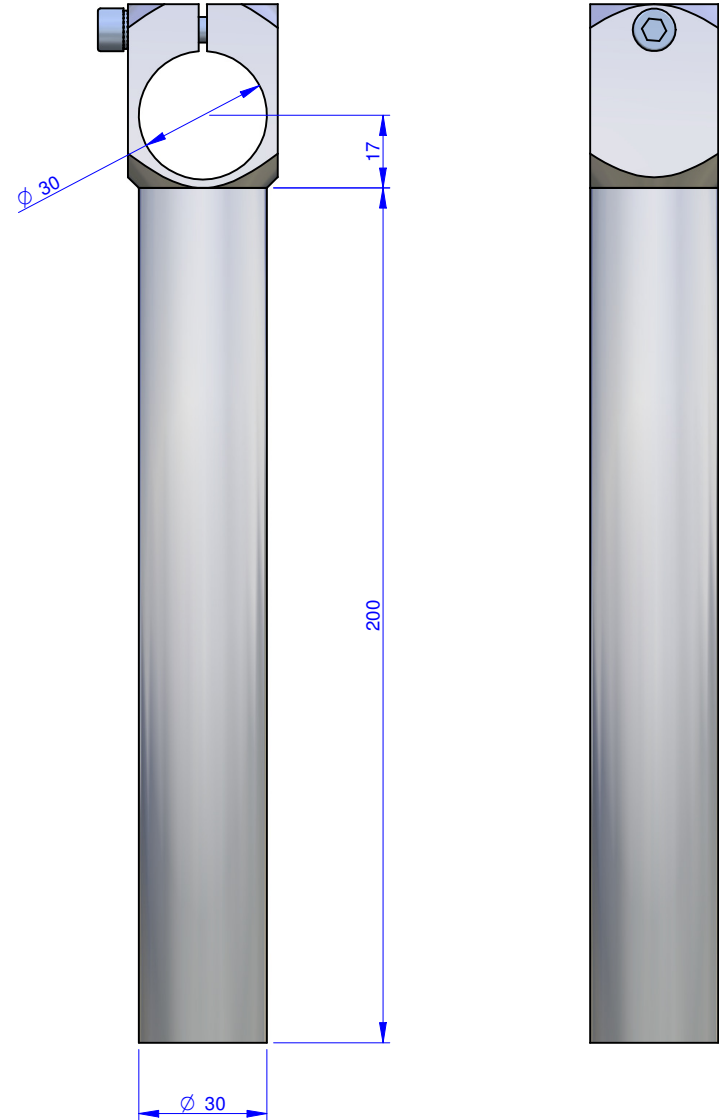
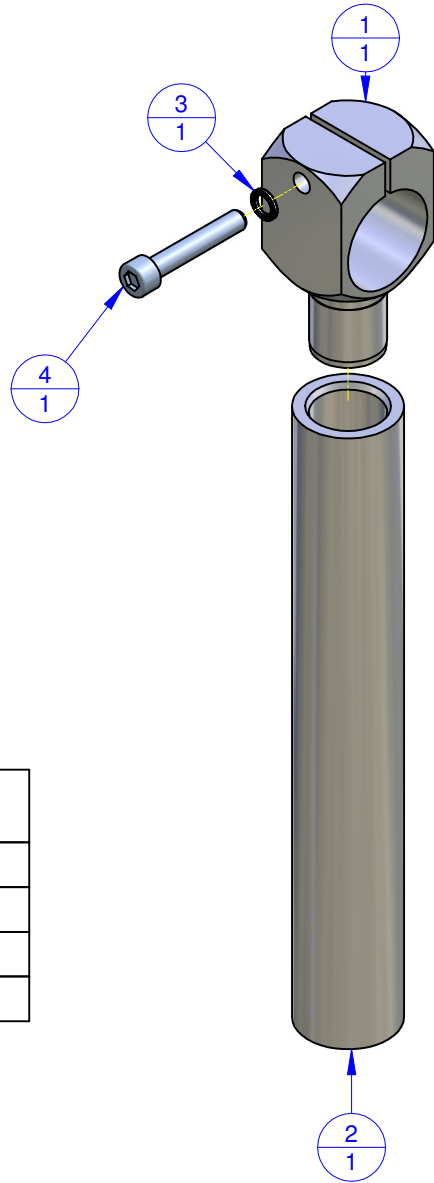
THE PROPERTY OF THIS DRAWING IS ESTABLISHED BY LAW
IT IS FORBIDDEN TO REPRODUCE IT OR SHOW IT TO THIRD PARTY
WITHOUT A WRITTEN AGREEMENT.

MODIFICATIONS: VARIED DIMENSIONS AS OF DATE:
 (7) _____ (10) _____
 (8) _____ (11) _____
 (9) _____ (12) _____

MODIFICATIONS: VARIED DIMENSIONS AS OF DATE:
 (1) _____ (4) _____
 (2) _____ (5) _____
 (3) _____ (6) _____

Format **A3**
 UNI 936-76

Object Number	Name	QTY
1	WKA.30.1	1
2	GVR.30.200	1
3	R.6.SCH	1
4	V.TCEI M6X35	1



FP Services		DESIGNED FROM FPSERVICES	
GENERAL TOLERANCE: UNI - ISO 2768 CLASSE f		DATE 01/2015	WEIGHT 0,294 kg
DESCRIPTION		CODE CA.WKA.30.30.200	

