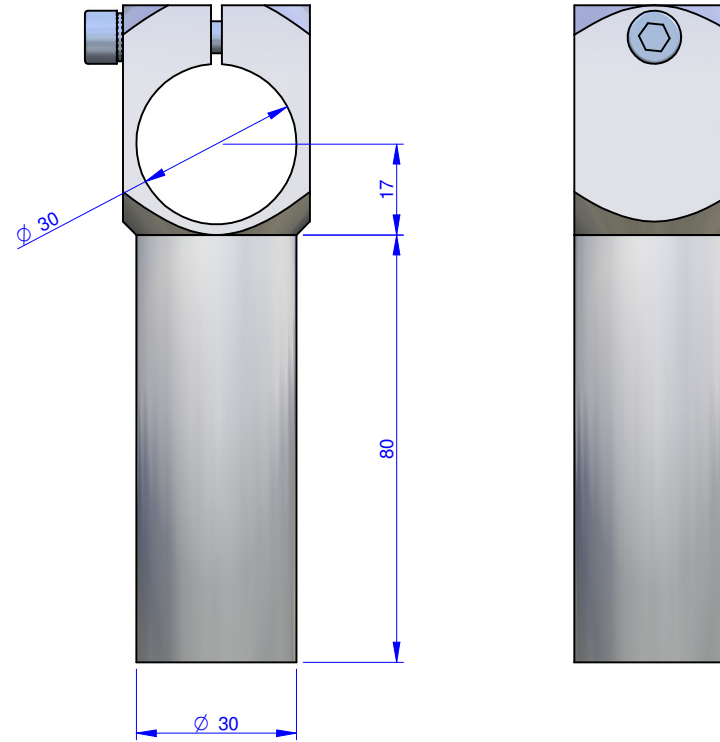
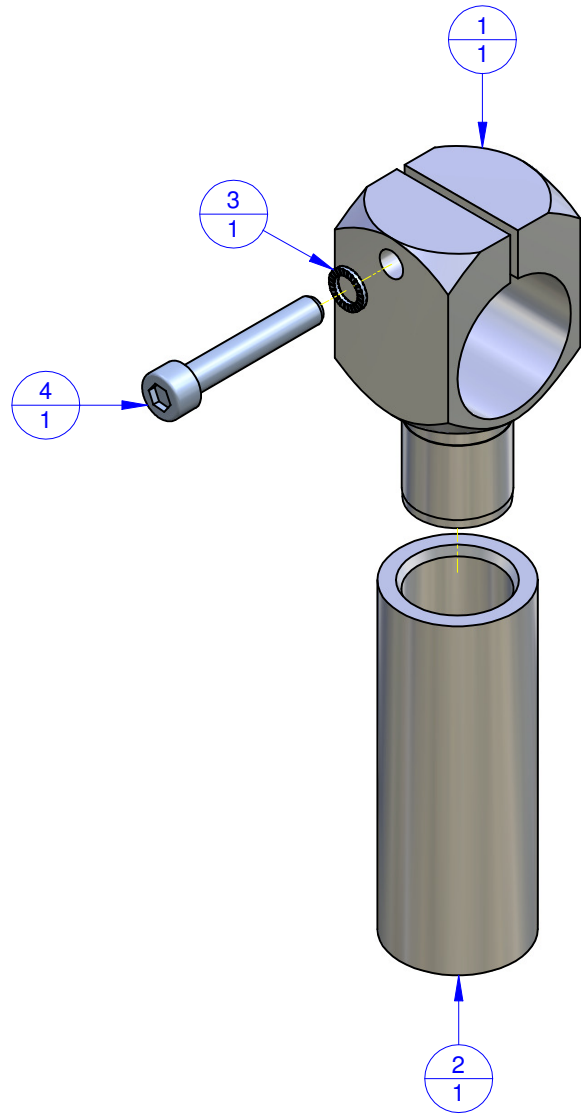


THE PROPERTY OF THIS DRAWING IS ESTABLISHED BY LAW
IT IS FORBIDDEN TO REPRODUCE IT OR SHOW IT TO THIRD PARTY
WITHOUT A WRITTEN AGREEMENT.



MODIFICATIONS:

7	8	9
10	11	12

VARIED DIMENSIONS AS OF DATE:

MODIFICATIONS:

1	2	3
4	5	6

VARIED DIMENSIONS AS OF DATE:

Format **A3**
UNI 936-76

Object Number	Name	QTY
1	WKA.30.1	1
2	GVR.30.80	1
3	R.6.SCH	1
4	V.TCEI M6X35	1

FP Services <small>GENERAL TOLERANCE: UNI - ISO 2768 CLASSE f</small>	<small>DESCRIPTION</small>	<small>DESIGNED FROM</small> FPSERVICES
		<small>DATE</small> 01/2015
<small>CODE</small> CA.WKA.30.30.80		

