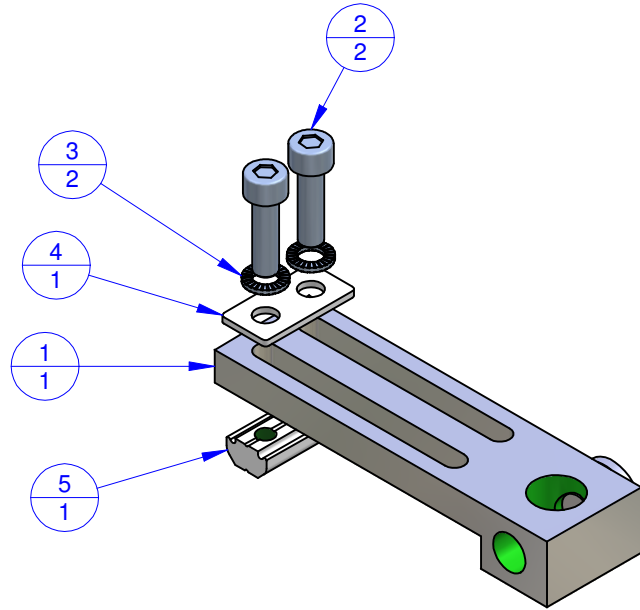
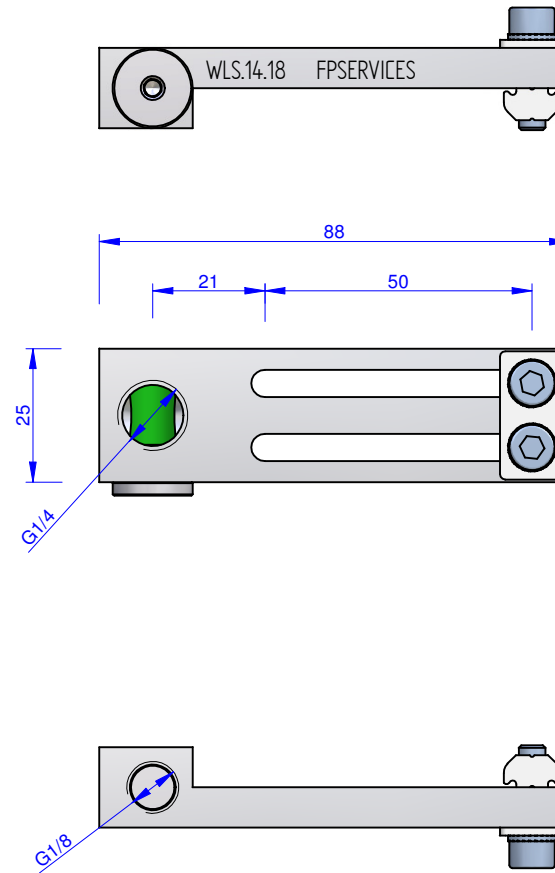


THE PROPERTY OF THIS DRAWING IS ESTABLISHED BY LAW  
IT IS FORBIDDEN TO REPRODUCE IT OR SHOW IT TO THIRD PARTY  
WITHOUT A WRITTEN AGREEMENT.



Object Number	Name	QTY
1	CA.WLS.14.18	1
2	V.TCEI M5X18	2
3	R.5.SCH	2
4	R.05.12	1
5	CA.GWP.5.12	1



MODIFICATIONS: VARIED DIMENSIONS AS OF DATE:

7	10
8	11
9	12

MODIFICATIONS: VARIED DIMENSIONS AS OF DATE:

1	4
2	5
3	6

Format **A3**  
UNI 936-76

<b>FP Services</b>		DESIGNED FROM FPSERVICES	
GENERAL TOLERANCE: UNI - ISO 2768 CLASSE f		DATE 12/2014	WEIGHT 0,065 kg
DESCRIPTION		CODE <b>CA.WLS.14.18.X</b>	

