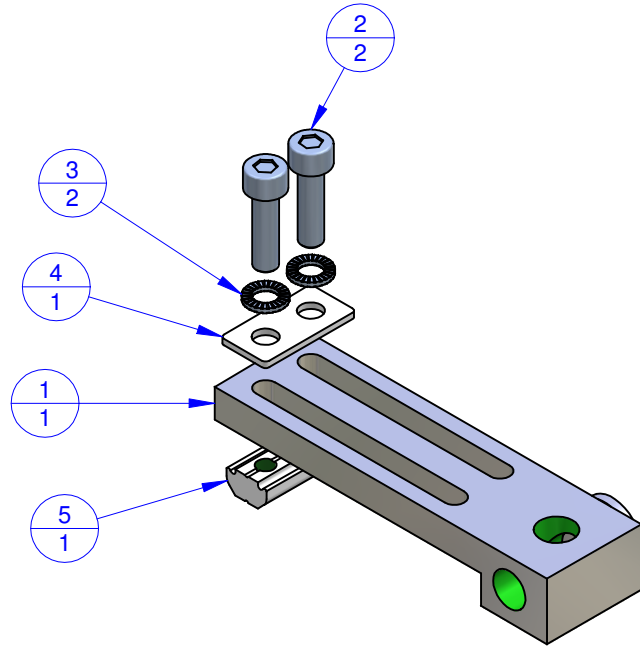
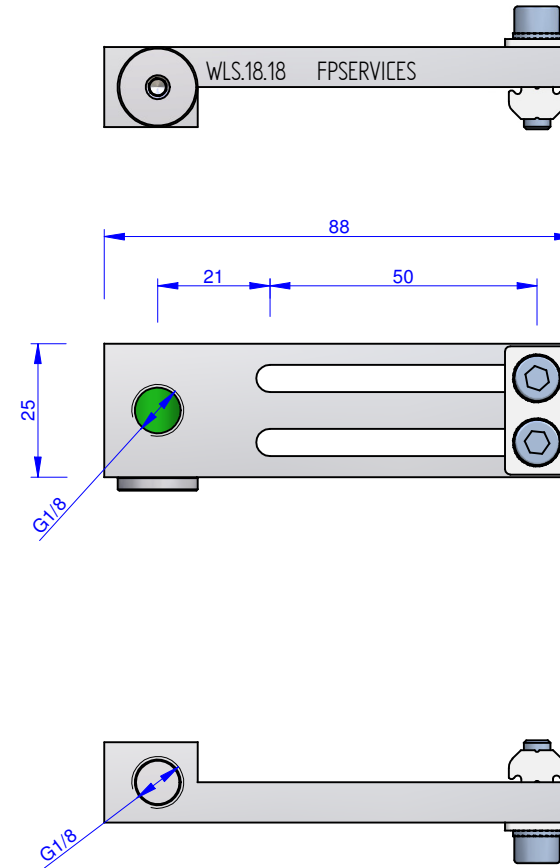


THE PROPERTY OF THIS DRAWING IS ESTABLISHED BY LAW  
IT IS FORBIDDEN TO REPRODUCE IT OR SHOW IT TO THIRD PARTY  
WITHOUT A WRITTEN AGREEMENT.



| Object Number | Name         | QTY |
|---------------|--------------|-----|
| 1             | CA.WLS.18.18 | 1   |
| 2             | V.TCEI M5X18 | 2   |
| 3             | R.5.SCH      | 2   |
| 4             | R.05.12      | 1   |
| 5             | CA.GWP.5.12  | 1   |



MODIFICATIONS: VARIED DIMENSIONS AS OF DATE:

|   |    |
|---|----|
| 7 | 10 |
| 8 | 11 |
| 9 | 12 |

MODIFICATIONS: VARIED DIMENSIONS AS OF DATE:

|   |   |
|---|---|
| 1 | 4 |
| 2 | 5 |
| 3 | 6 |

Format **A3**  
UNI 936-76

|  |  |                               |                    |
|--|--|-------------------------------|--------------------|
| <b>FP Services</b>                               |  | DESIGNED FROM<br>FPSERVICES   |                    |
| GENERAL TOLERANCE:<br>UNI - ISO 2768<br>CLASSE f |  | DATE<br>12/2014               | WEIGHT<br>0,065 kg |
| DESCRIPTION                                      |  | CODE<br><b>CA.WLS.18.18.X</b> |                    |

